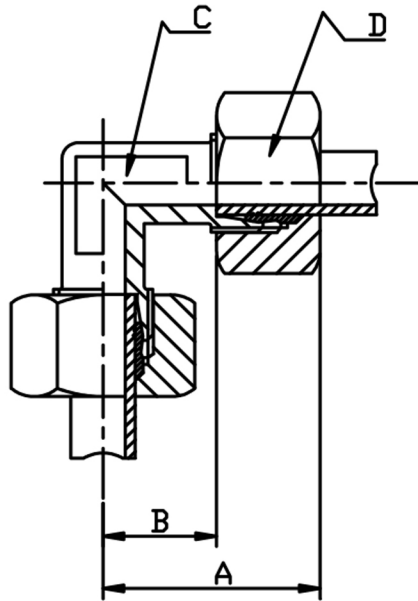


### EQUAL ELBOW



TUBE	PART No	A	B	C	D	PN BAR	Kg 100
<b>LIGHT SERIES</b>							
4	EE04LL	21	11	9	10	100	1.9
6	EE06LL	21	9.5	9	12		2.2
8	EE08LL	23	11.5	12	14		3.1
6	EE06L	27	12.0	12	14	315	4.2
8	EE08L	29	14.0	12	17		5.9
10	EE10L	30	15.0	14	19		7.4
12	EE12L	32	17.0	17	22		9.9
15	EE15L	36	21.0	19	27		16.4
18	EE18L	40	23.5	24	32		24.8
22	EE22L	44	27.5	27	36	160	33.1
28	EE28L	47	30.5	36	41		44.8
35	EE35L	56	34.5	41	50		73.2
42	EE42L	63	40.0	50	60		111.6
<b>HEAVY SERIES</b>							
6	EE06S	31	16.0	12	17	630	7.0
8	EE08S	32	17.0	14	19		9.0
10	EE10S	34	17.5	17	22		12.4
12	EE12S	38	21.5	17	24		15.5
14	EE14S	40	22.0	19	27	400	20.3
16	EE16S	43	24.5	24	30		26.2
20	EE20S	48	26.5	27	36		42.1
25	EE25S	54	30.0	36	46		80.4
30	EE30S	62	35.5	41	50		102.3
38	EE38S	72	41.0	50	60		156.5

\*316Ti Stainless Steel

\*Pressures up to 630 BAR

\*Dimensions to EN ISO 8434-1/DIN 2353

\*Sizes 4mm to 42mm

\*\*DIMENSIONS SUBJECT TO CHANGE, PLEASE CONTACT US IF CRITICAL\*\*