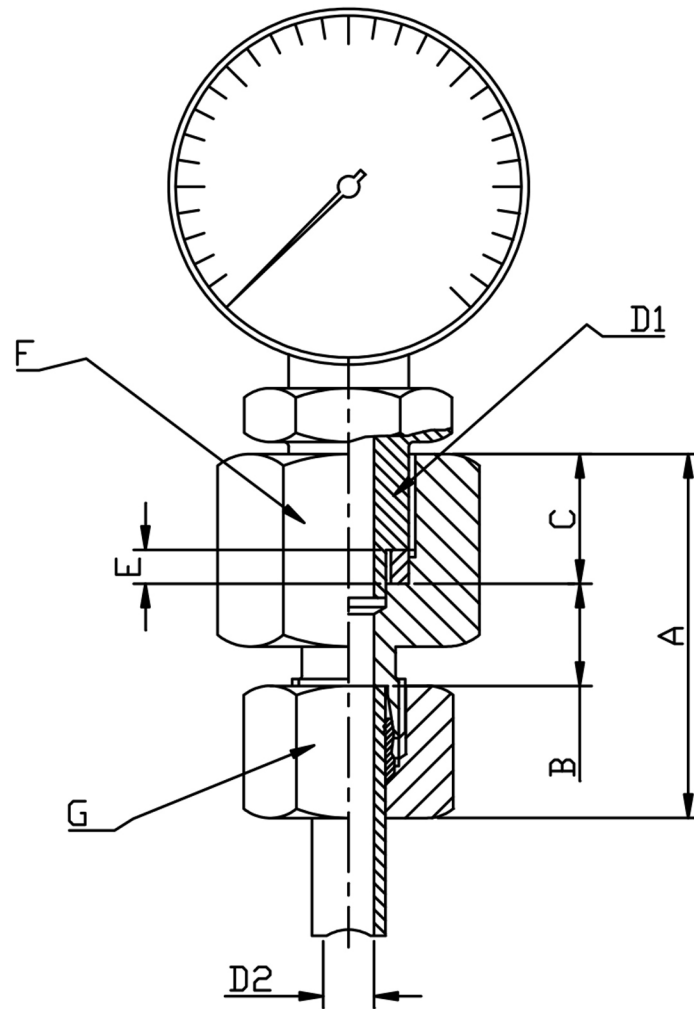


### FEMALE PRESSURE GAUGE COUPLING NPT



TUBE	D1	PART No	A	B	C	D2	E	F	G	PN BAR	Kg 100
<b>LIGHT SERIES</b>											
6	1/4	PGC06L14NPT	37	7.5	14.5	2.5	4.5	19	14	315	4.7
8	1/4	PGC08L14NPT	37	7.5	14.5	5.5	4.5	19	17		5.4
10	1/4	PCG10L14NPT	38	8.5	14.5	5.5	4.5	19	19		6.0
12	1/4	PGC12L14NPT	38	8.5	14.5	5.5	4.5	19	22		7.0
<b>HEAVY SERIES</b>											
6	1/2	PGC06S12NPT	46	11.0	20.0	3.5	5.0	27	17	630	10.7
8	1/2	PGC08S12NPT	46	11.0	20.0	3.5	5.0	27	19		11.2
10	1/2	PGC10S12NPT	47	10.5	20.0	7.5	5.0	27	22		12.7
12	1/2	PGC12S12NPT	47	10.5	20.0	7.5	5.0	27	24		13.2

\*316Ti Stainless Steel

\*Pressures up to 630 BAR

\*Dimensions to EN ISO 8434-1/DIN 2353

\*Sizes 6mm to 12mm

\*\*DIMENSIONS SUBJECT TO CHANGE, PLEASE CONTACT US IF CRITICAL\*\*