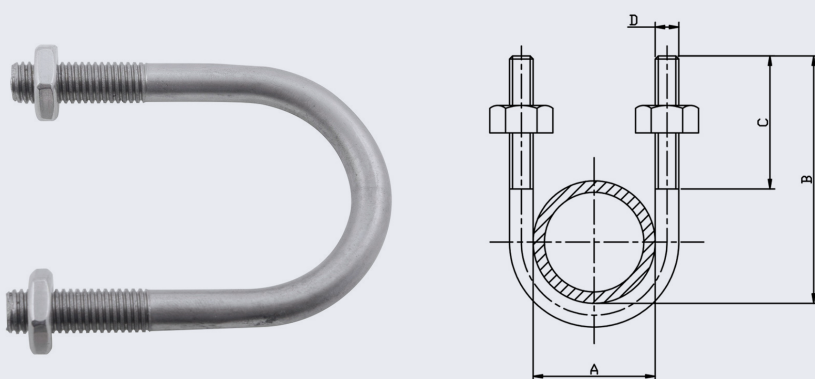


# U-Bolt C/W 2 Hex Nuts (Nominal Bore) 316



NERO's range of Nominal bore U-Bolts are made from 316 stainless steel and come complete with 2 hexagonal nuts

We also keep Welded & Seamless Nominal Bore pipe to suit these U-Bolts + a cutting service to suit all your needs



SIZE (N.B)	CODE	A PIPE O/D	B	C	D	KG
1/4	UB0.25	13.7	35	22	5	0.03
3/8	UB0.375	17.1	40	25	5	0.05
1/2	UB0.5	21.3	46	30	6	0.07
3/4	UB0.75	26.9	52	30	6	0.08
1	UB1.0	33.7	64	30	6	0.08
1-1/4	UB1.25	42.4	71	35	10	0.09
1-1/2	UB1.5	48.3	85	40	10	0.18
2	UB2.0	60.3	88	40	10	0.20
2-1/2	UB2.5	73.03	103	40	10	0.34
3	UB3.0	88.9	121	40	10	0.70
4	UB4.0	114.3	143	40	12	0.81
5	UB5.0	139.7	173	40	12	0.91
6	UB6.0	168.3	196	40	12	1.69
8	UB8.0	219.1	257	50	16	2.07

**\*\* Dimensions subject to change - Please contact us if critical \*\***

## Other products you might like...

We also keep more pipe clamps as alternative ways of fixing N.B pipe

