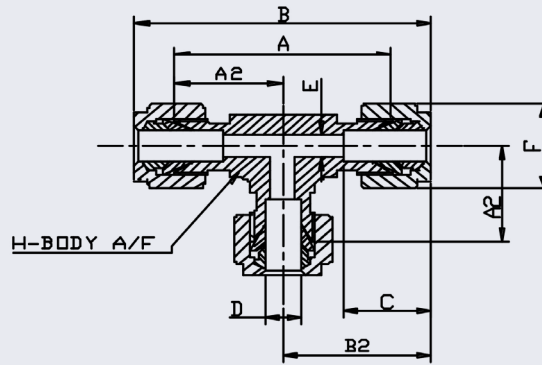


# Twin Ferrule Compression Fittings Equal Tee (Metric)



- 316 Stainless Steel
- Metric sizes 4mm to 25mm
- Silver plated nuts

D TUBE	PART No.	A	A2	B	B2	C	E	F HEX	H A/F	KG/100
4	4mTTT	41.2	20.6	57.6	28.8	14.5	2.8	13	15	5.6
6	6mTTT	41.2	20.6	57.6	28.8	16.1	4.7	14	13	6.5
8	8mTTT	44.4	22.2	60.8	30.4	16.9	6.4	16	14	9.2
10	10mTTT	46.0	23.0	62.4	31.2	17.7	7.9	19	14	10.4
12	12mTTT	50.0	25.0	71.6	35.8	23.5	9.5	22	17	16.9
15	15mTTT	54	27	74.2	37.8	22	12.7	25	24	22.6
16	16mTTT	54.0	27.0	75.6	37.8	25.1	12.7	25	24	26.0
20	20mTTT	66.6	33.3	88.2	44.1	25.1	16.7	30	24	33.1
22	22mTTT	65	32.5	85.2	44.1	22	16.7	32	32	42.0
25	25mTTT	71.4	35.7	96.8	48.4	31.8	22.2	38	32	48.0

**\*\* Dimensions subject to change - Please contact us if critical \*\***