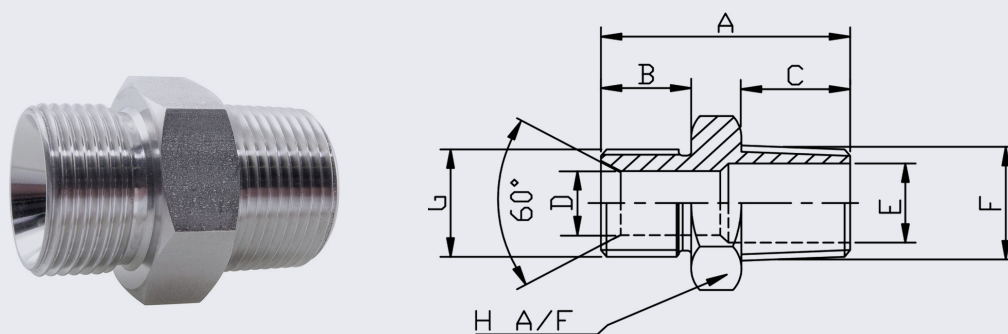


Hexagonal Nipple (BSPP x BSPT) 316



- NERO's range of Hexagonal Nipples are available in BSPP x BSPT threads, with a 60° internal cone on 1 end (recessed to accept a Bonded Washer) and BSPT the other
- Pressure rating up to 200 BAR
- Can be supplied with 2.2 Certificate of Conformity - upon request
- BSPP Male thread are to ISO 228/1
- BSPT Male thread are to ISO 7-1
- 60° internal cone to BS 5200

SIZE BSPP (G)	SIZE BSPT (F)	PRODUCT CODE	A	B	C	D	E	E (A/F)	KG EACH
1/8	1/8	HN02PT	23.1	8.1	10.1	3.5	5.5	14.3	0.014
1/4	1/4	HN04PT	31.1	11.1	13.1	4.7	7.5	19.1	0.032
3/8	3/8	HN06PT	33.1	12.1	13.1	8.1	10.7	22.2	0.048
1/2	1/2	HN08PT	40.1	14.1	16.1	11.1	13.5	28.6	0.092
3/4	3/4	HN12PT	47.1	16.1	19.1	16.6	18.6	31.7	0.13
1	1	HN16PT	53.2	19.1	22.2	22.2	23.8	41.3	0.21
1-1/4	1-1/4	HN20PT	58.2	20.1	28.6	28.6	31.7	50.8	0.35
1-2/2	1-1/2	HN24PT	60.1	22.1	33.3	33.3	38.1	56.4	0.43
2	2	HN32PT	70.1	25.1	46.1	46.1	46.1	69.8	0.75

**** Dimensions subject to change - Please contact us if critical ****

Other products you might like...

We stock a wide range of Hydraulic Fittings to suit your requirements



We also keep Reducing versions of this fitting + Bonded Washers in our Hydraulic range

