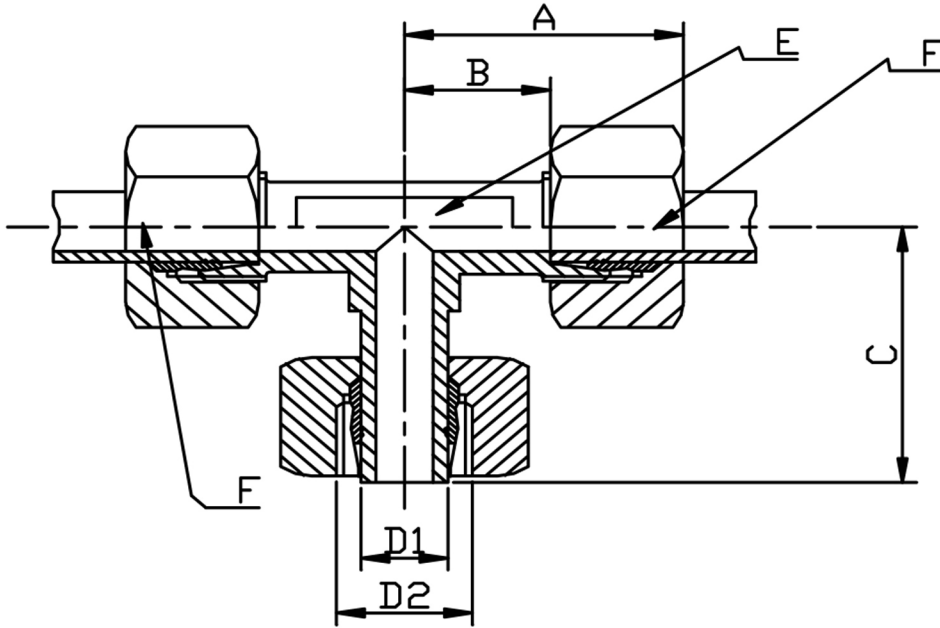


ADJUSTABLE STANDPIPE BRANCH TEE



TUBE	PART No	A	B	C	D1	D2	E	F	PN BAR	Kg 100
LIGHT SERIES										
6	ASBT06L	27	12.0	26.0	6	M12 X 1.5	12	14	315	5.7
8	ASBT08L	29	14.0	27.5	8	M14 X 1.5	12	17		7.9
10	ASBT10L	30	15.0	29.0	10	M16 X 1.5	14	19		10.0
12	ASBT12L	32	17.0	29.5	12	M18 X 1.5	17	22		13.2
15	ASBT15L	36	21.0	32.0	15	M22 X 1.5	19	27		21.9
18	ASBT18L	40	23.5	36.0	18	M26 X 1.5	24	32	35.6	
22	ASBT22L	44	27.5	38.0	22	M30 X 2	27	36	160	46.4
28	ASBT28L	47	30.5	41.5	28	M36 X 2	36	41		59.2
35	ASBT35L	56	34.5	51.0	35	M45 X 2	41	50		90.1
42	ASBT42L	63	40.0	56.0	42	M52 X 2	50	60		135.1
HEAVY SERIES										
6	ASBT06S	31	16.0	27.0	6	M14 X 1.5	12	17	630	9.2
8	ASBT08S	32	17.0	27.5	8	M16 X 1.5	14	19		11.7
10	ASBT10S	34	17.5	30.0	10	M18 X 1.5	17	22		16.2
12	ASBT12S	38	21.5	31.0	12	M20 X 1.5	17	24		21.4
14	ASBT14S	40	22.0	35.0	14	M22 X 1.5	19	27		29.0
16	ASBT16S	43	24.5	37.0	16	M24 X 1.5	24	30	400	35.0
20	ASBT20S	48	26.5	44.5	20	M30 X 2	27	36		57.2
25	ASBT25S	54	30.0	50.5	25	M36 X 2	36	46		115.7
30	ASBT30S	62	35.5	55.0	30	M42 X 2	41	50		136.6
38	ASBT38S	72	41.0	63.0	38	M52 X 2	50	60		315

*316Ti Stainless Steel

*Pressures up to 630 BAR

*Dimensions to EN ISO 8434-1/DIN 2353

*Sizes 6mm to 42mm

DIMENSIONS SUBJECT TO CHANGE, PLEASE CONTACT US IF CRITICAL