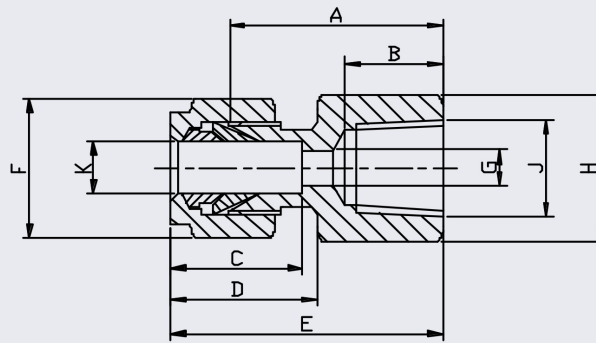


Twin Ferrule Compression Fittings Female Connector NPT (Metric)



- 316 Stainless Steel
- Metric sizes 4mm to 25mm
- Silver plated nuts

K TUBE	J THREAD	PART No.	A	B	C	D	E	H HEX	G	H HEX	KG/100
4	1/8	4mFC2NPT	23.0	9.9	14.5	16.9	30.4	13	2.8	14	2.6
4	1/4	4mFC4NPT	27.8	15.0	14.5	16.9	35.2	13	2.8	19	4.6
6	1/8	6mFC2NPT	23.8	9.9	16.1	18.5	32.0	14	4.7	14	3.0
6	1/4	6mFC4NPT	28.6	15.0	16.1	18.5	36.8	14	4.7	19	5.0
6	3/8	6mFC6NPT	30.2	15.0	16.1	18.5	38.4	14	4.7	22	6.3
6	1/2	6mFC8NPT	35.1	19.8	15.3	17.7	42.5	14	4.7	27	6.4
8	1/4	8m8FC4NPT	29.4	15.0	16.9	19.3	37.6	16	6.4	19	5.6
8	3/8	8m8FC6NPT	31.0	15.0	16.9	19.3	39.2	16	6.4	22	6.9
10	1/4	10mFC4NPT	30.2	15.0	17.7	20.1	38.4	19	7.9	19	5.8
10	3/8	10mFC6NPT	31.8	15.0	17.7	20.1	40.0	19	7.9	22	6.7
10	1/2	10mFC8NPT	36.6	19.8	17.7	20.1	44.2	19	7.9	27	8.0
12	1/4	12mFC4NPT	30.2	15.0	22.8	22.0	40.3	22	9.5	22	6.4
12	3/8	12mFC6NPT	31.8	15.0	23.5	22.7	42.6	22	9.5	22	8.0
12	1/2	12mFC8NPT	37.3	19.8	23.5	22.7	48.1	22	9.5	27	11.8
12	3/4	12mFC12NPT	38.1	20.6	23.0	22.7	48.4	22	9.5	33	15.7
15	1/2	15mFC8NPT	37.3	19.8	25.1	22.7	48.1	25	11.8	33	15.4
16	1/2	16mFC8NPT	37.3	19.8	25.1	22.7	48.1	25	12.7	29	15.4
16	3/4	16mFC12NPT	38.1	20.6	25.1	22.7	49.2	30	12.7	33	16.0
20	1/2	20mFC8NPT	37.3	19.8	25.1	22.7	48.1	30	16.7	29	13.8
20	3/4	20mFC12NPT	41.3	20.6	25.1	22.7	52.1	30	16.7	33	21.0
22	3/4	22mFC12NPT	39.6	20.6	25.1	22.7	49.7	32	22.6	33	24.2
25	3/4	25mFC12NPT	43.7	20.6	31.8	27.0	56.4	38	18.3	35	26.7
25	1	25mFC16NPT	50.8	25.4	31.8	27.0	63.5	38	22.0	43	40.8

**** Dimensions subject to change - Please contact us if critical ****