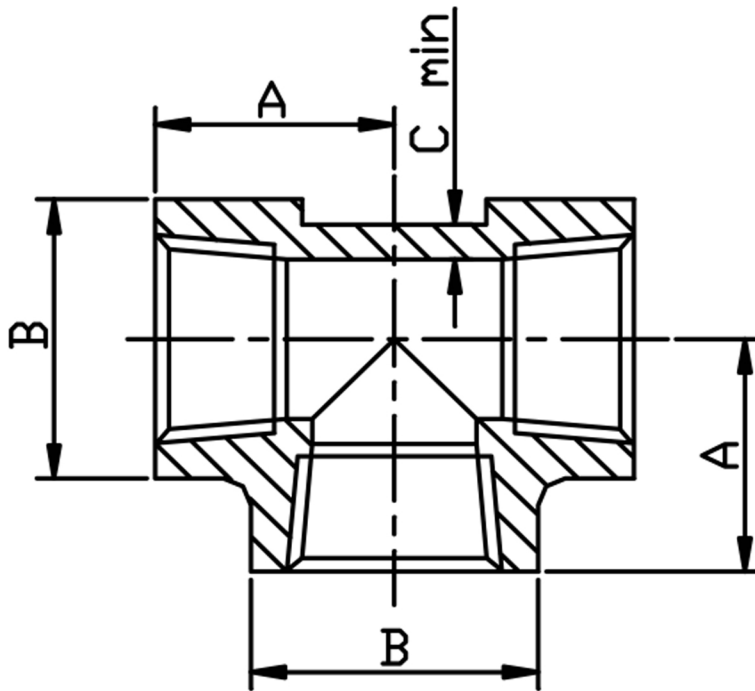


### EQUAL TEE NPT 316L



SIZE	PART No	A	B	C	Kg/100
1/4	3T04N	25	25	3.5	19.3
3/8	3T06N	29	33	3.5	37.8
1/2	3T08N	33	38	4.0	57.1
3/4	3T12N	38	46	4.5	85.5
1	3T16N	44	56	5.0	142.0
1-1/4	3T20N	51	62	5.5	171.4
1-1/2	3T24N	60	75	5.5	325.8
2	3T32N	64	84	7.0	344.4

\*NPT threaded to ANSI B2.1

\*Dimensions to ANSI B16.11/BS3799

\*3000 LB rating

\*Sizes 1/4" to 2"

\*316L stainless steel

\*Larger sizes are available

\*\*DIMENSIONS SUBJECT TO CHANGE, PLEASE CONTACT US IF CRITICAL\*\*