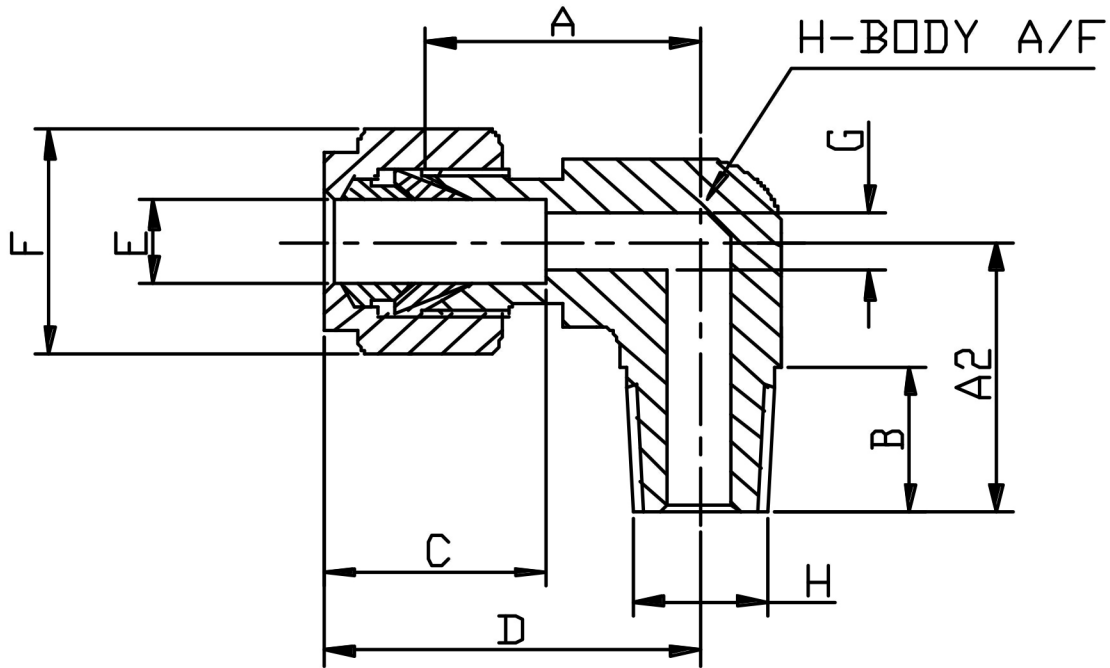


MALE STUD ELBOW BSPT (METRIC)



E TUBE	H THREAD	PART No	A	A2	B	C	D	G	F HEX	H A/F	Kg/100
4	1/8	4mME2BSPT	19.8	19.5	9.5	14.5	28.0	2.8	13	13	2.9
6	1/8	6mME2BSPT	20.6	19.5	9.5	16.1	28.8	4.7	14	13	3.4
6	1/4	6mME4BSPT	20.6	23.8	10.3	16.1	28.8	4.7	14	13	3.9
6	3/8	6mME6BSPT	22.4	26.2	14.2	15.3	29.8	4.8	14	17	5.3
6	1/2	6mME8BSPT	24.4	33.0	19.1	15.3	31.8	4.8	14	21	5.8
8	1/4	8mME4BSPT	22.2	25.4	14.3	16.9	30.4	6.3	16	13	5.3
8	3/8	8mME6BSPT	23.1	26.2	14.2	16.2	30.6	6.4	16	17	5.7
10	1/4	10mME4BSPT	23.8	25.4	14.3	17.7	32.0	7.9	19	14	5.7
10	3/8	10mME6BSPT	23.8	28.6	14.3	17.7	32.0	7.9	19	14	6.6
10	1/2	10mME8BSPT	25.9	33.0	19.1	17.2	33.5	7.9	19	17	9.6
12	1/4	12mME4BSPT	25.9	28.2	14.2	22.8	36.0	7.1	22	17	8.8
12	3/8	12mME6BSPT	25.0	27.4	14.3	23.5	35.8	8.7	22	17	9.6
12	1/2	12mME8BSPT	26.2	33.3	19.1	23.5	37.0	9.5	22	17	11.8
15	3/8	15mME6BSPT	27.8	34.9	19.1	22	37.9	11.8	25	24	12.1
15	1/2	15mME8BSPT	27.8	34.9	19.1	22	37.9	11.8	25	24	12.9
16	1/2	16mME8BSPT	27.0	34.1	19.1	25.1	37.8	12.7	25	24	13.0
20	1/2	20mME8BSPT	33.3	34.1	19.1	25.1	44.1	12.7	30	24	16.2
20	3/4	20mME12BSPT	33.3	42.1	19.1	25.1	44.1	16.7	30	24	19.0
22	3/4	22mME12BSPT	32.5	38.1	19.1	22	42.6	16.7	32	32	23.5
25	3/4	25mME12BSPT	35.7	42.1	19.1	31.8	48.4	18.3	38	32	30.9
25	1	25mME16BSPT	36.8	46.5	23.9	31.3	49.1	21.8	38	32	32.5

*316 Stainless Steel

*Metric sizes 4mm to 25mm

*Silver plated nuts

DIMENSIONS SUBJECT TO CHANGE, PLEASE CONTACT US IF CRITICAL