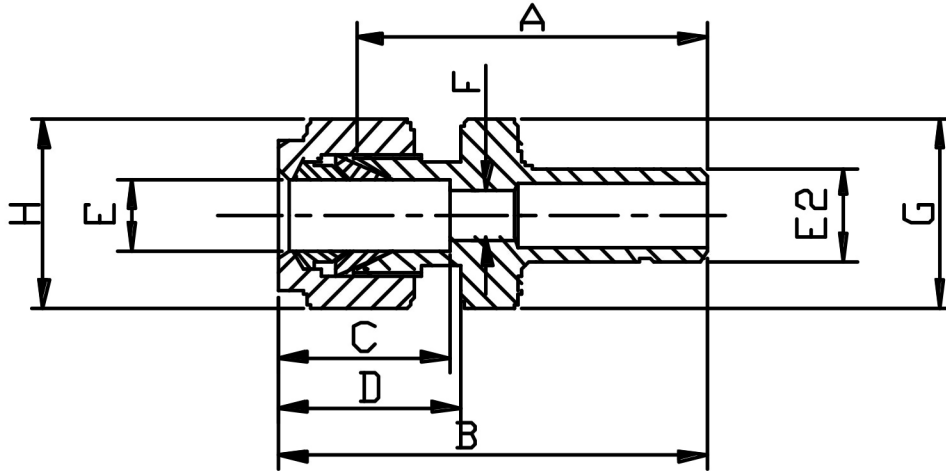


REDUCING ADAPTOR (METRIC)



E TUBE	E2 STANDPIPE	PART No	A	B	C	D	F	G HEX	H HEX	Kg/100
4	6	4mRED6	31.0	38.4	14.5	16.9	2.4	11	13	1.9
6	8	6mRED8	33.3	41.5	16.1	18.5	4.7	11	14	2.4
6	10	6mRED10	34.1	42.3	16.1	18.5	4.7	14	14	2.8
6	12	6mRED12	39.7	47.9	16.1	18.5	4.7	14	14	3.4
8	10	8mRED10	35.3	43.6	16.9	19.3	6.3	14	16	3.5
8	12	8mRED12	40.9	49.1	16.9	19.3	6.4	14	16	4.0
10	12	10mRED12	42.1	50.3	17.7	20.1	8.0	17	19	5.0
12	16	12mRED16	44.4	55.2	23.5	22.7	9.5	22	22	7.6
16	25	16mRED25	52.0	62.8	25.1	22.7	12.7	29	25	14.3
20	25	20mRED25	54.4	65.2	25.1	22.7	16.7	29	30	15.5

*316 Stainless Steel

*Metric sizes 4mm to 25mm

*Silver plated nuts

DIMENSIONS SUBJECT TO CHANGE, PLEASE CONTACT US IF CRITICAL