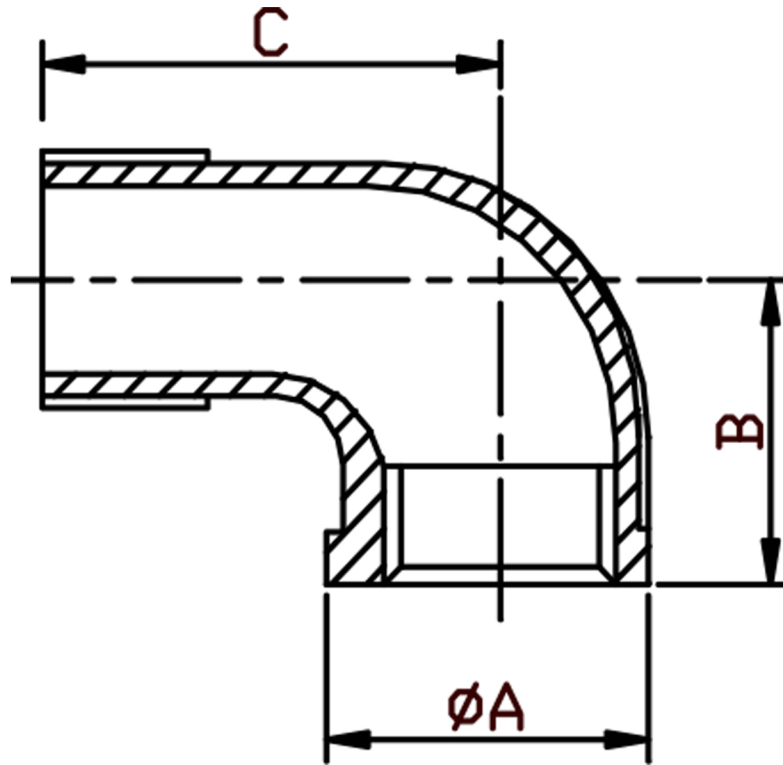


90° STREET ELBOW NPT 316L



SIZE	PART No	A	B	C	Kg/100
1/8	SE02N	14.5	15.4	23	2.45
1/4	SE04N	18	17.6	27	3.95
3/8	SE06N	22	20.5	30	6.40
1/2	SE08N	27.5	23.5	36	7.45
3/4	SE12N	33.7	27	41	11.10
1	SE16N	40	31	48	17.65
1-1/4	SE20N	49	37	54.5	30.80
1-1/2	SE24N	55	41	60	37.30
2	SE32N	68	51.5	73	70.87
2-1/2	SE40N	85.9	62.5	87	107.66
3	SE48N	101	79.3	106.5	204.80

*Pressure rating up to 20 BAR (300 PSI)

*Threads are NPT to ANSI B2.1

*316 CF8M stainless steel

*Investment castings

*Sizes 1/4" to 3"

DIMENSIONS SUBJECT TO CHANGE, PLEASE CONTACT US IF CRITICAL