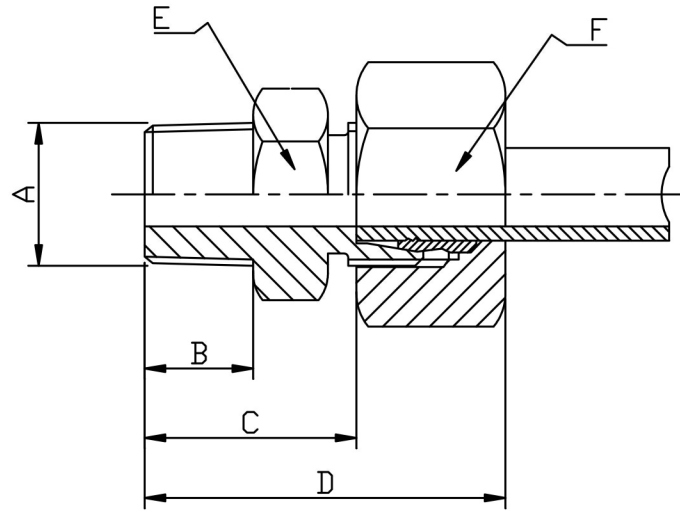


### MALE STUD COUPLING BSPT



TUBE	A BSPT	PART No	B	C	D	E	F	PN BAR	Kg 100
<b>LIGHT SERIES</b>									
4	1/8	MSC04LL18BSPT	8	16.0	26	11	10	100	1.3
6	1/8	MSC06LL18BSPT	8	14.5	26	12	12		1.4
8	1/8	MSC08LL18BSPT	8	16.5	28	12	14		1.7
6	1/8	MSC06L18BSPT	8	16	31	12	14	315	2.5
6	1/4	MSC06L14BSPT	12	20	33	14	14		3.0
6	3/8	MSC06L38BSPT	12	21	34	19	14		5.0
6	1/2	MSC06L12BSPT	14	24	37	22	14		7.0
8	1/8	MSC08L18BSPT	8	18	34	12	17		3.0
8	1/4	MSC08L14BSPT	12	20	36	14	17		3.5
8	3/8	MSC08L38BSPT	12	21	26	19	17		6.2
8	1/2	MSC08L12BSPT	14	24	29	22	17		7.5
10	1/4	MSC10L14BSPT	12	21	37	17	19		4.5
10	3/8	MSC10L38BSPT	12	21	27	19	19		5.5
10	1/2	MSC10L12BSPT	14	24	40	22	19		7.5
12	1/4	MSC12L14BSPT	12	21	27	19	22		5.5
12	3/8	MSC12L38BSPT	12	22	38	19	22		6.0
12	1/2	MSC12L12BSPT	14	24	28	22	22		8.0
15	1/4	MSC15L14BSPT	12	21	38	19	27		8.3
15	3/8	MSC15L38BSPT	12	23	40	21	27	9.5	
15	1/2	MSC15L12BSPT	14	25	41	24	27	11.0	
18	1/2	MSC18L12BSPT	14	25.5	44	27	32	13.0	
22	3/4	MSC22L34BSPT	20	29.5	46	32	36	160	20.0
28	1	MSC28L1BSPT	25	32.5	49	41	41		27.5
35	1-1/4	MSC35L114BSPT	26	34.5	56	46	50		55.0
42	1-1/2	MSC42L112BSPT	28	38	61	55	60		61.5
<b>HEAVY SERIES</b>									
14	1/2	MSC14S12BSPT	14	19	37	27	27	630	15.3
16	1/2	MSC16S12BSPT	14	18.5	37	27	30	400	16.1

\*316Ti Stainless Steel

\*Pressures up to 630 BAR

\*Dimensions to EN ISO 8434-1/DIN 2353

\*Sizes 4mm to 42mm

\*\*DIMENSIONS SUBJECT TO CHANGE, PLEASE CONTACT US IF CRITICAL\*\*