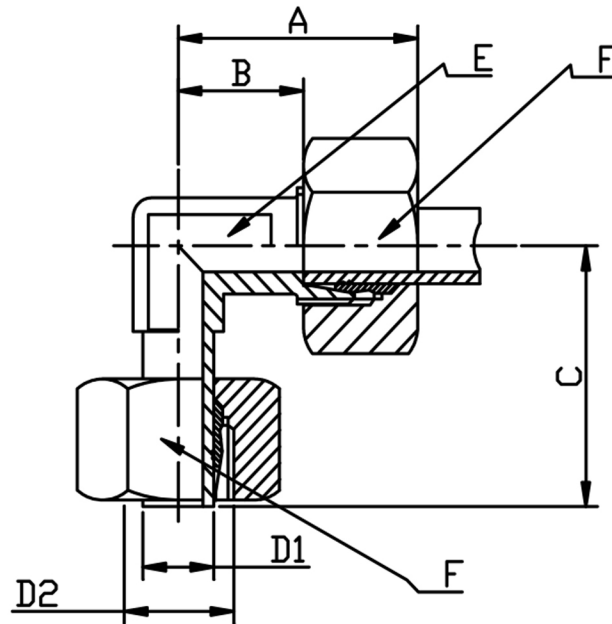


### ADJUSTABLE STANDPIPE ELBOW



TUBE	PART No	A	B	C	D1	D2	E	F	PN BAR	Kg 100
<b>LIGHT SERIES</b>										
6	ASE06L	27	12.0	26.0	6	M12 X 1.5	12	14	315	4.3
8	ASE08L	29	14.0	27.5	8	M14 X 1.5	12	17		5.4
10	ASE10L	30	15.0	29.0	10	M16 X 1.5	14	19		6.8
12	ASE12L	32	17.0	30.5	12	M18 X 1.5	17	22		9.1
15	ASE15L	36	21.0	32.5	15	M22 X 1.5	19	27		15.6
18	ASE18L	40	23.5	36.0	18	M26 X 1.5	24	32		23.4
22	ASE22L	44	27.5	39.0	22	M30 X 2	27	36	160	31.2
28	ASE28L	47	30.5	41.5	28	M36 X 2	36	41		44.7
35	ASE35L	56	34.5	51.0	35	M45 X 2	41	50		70.6
42	ASE42L	63	40.0	56.0	42	M52 X 2	50	60		107.1
<b>HEAVY SERIES</b>										
6	ASE06S	31	16.0	27.0	6	M14 X 1.5	12	17	630	6.2
8	ASE08S	32	17.0	27.5	8	M16 X 1.5	14	19		8.0
10	ASE10S	34	17.5	30.0	10	M18 X 1.5	17	22		11.1
12	ASE12S	38	21.0	31.0	12	M20 X 1.5	17	24		13.9
14	ASE14S	40	22.0	36.0	14	M22 X 1.5	19	27		18.9
16	ASE16S	43	24.5	36.5	16	M24 X 1.5	24	30	400	24.8
20	ASE20S	48	26.5	44.5	20	M30 X 2	27	36		40.2
25	ASE25S	54	30.0	50.0	25	M36 X 2	36	46		78.4
30	ASE30S	62	35.5	55.0	30	M42 X 2	41	50		97.5
38	ASE38S	72	41.0	67.5	38	M52 X 2	50	60		315

\*316Ti Stainless Steel

\*Pressures up to 630 BAR

\*Dimensions to EN ISO 8434-1/DIN 2353

\*Sizes 6mm to 42mm

\*\*DIMENSIONS SUBJECT TO CHANGE, PLEASE CONTACT US IF CRITICAL\*\*