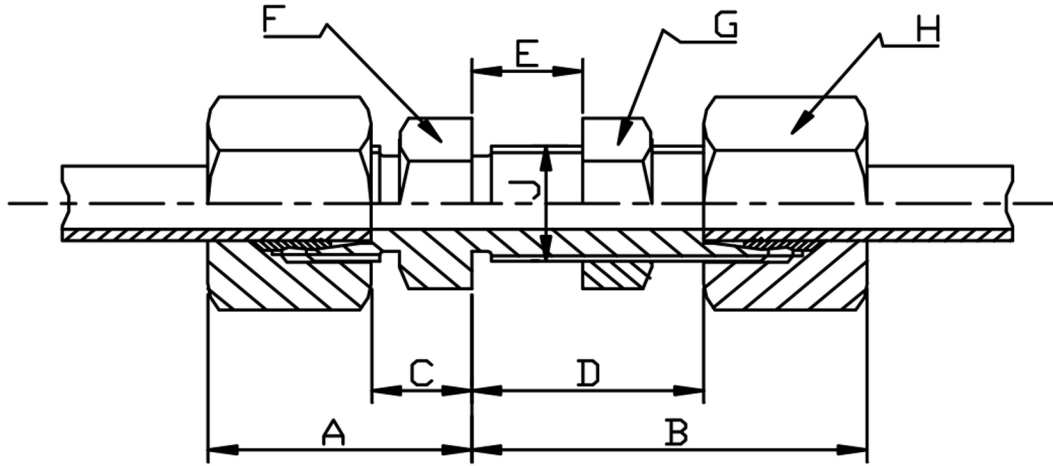


EQUAL BULKHEAD



TUBE	PART No	A	B	C	D	F	G	H	J	PN BAR	Kg 100
LIGHT SERIES											
6	BH06L	22	42	7.0	27.0	17	17	14	M12 X 1.5	315	6.2
8	BH08L	23	42	8.0	27.0	19	19	17	M14 X 1.5		8.3
10	BH10L	25	43	10.0	28.0	22	22	19	M16 X 1.5		10.8
12	BH12L	25	44	10.0	29.0	24	24	22	M18 X 1.5		13.5
15	BH15L	27	46	12.0	31.0	27	30	27	M22 X 1.5		21.9
18	BH18L	30	49	13.5	32.5	32	36	32	M26 X 1.5	33.5	
22	BH22L	33	51	16.5	34.5	36	41	36	M30 X 2	44.4	
28	BH28L	35	52	18.5	35.5	41	46	41	M36 X 2	160	54.9
35	BH35L	40	58	18.5	36.5	50	55	50	M45 X 2		87.4
42	BH42L	42	59	19.0	36.0	60	65	60	M52 X 2		127.6
HEAVY SERIES											
6	BH06S	27	44	12.0	29.0	19	19	17	M14 X 1.5	630	10.1
8	BH08S	28	44	13.0	29.0	22	22	19	M16 X 1.5		13.2
10	BH10S	31	46	14.5	29.5	24	24	22	M18 X 1.5		17.6
12	BH12S	31	47	14.5	30.5	27	27	24	M20 X 1.5		21.5
14	BH14S	35	50	17.0	32.0	30	30	27	M22 X 1.5		28.4
16	BH16S	35	50	16.5	31.5	32	32	30	M24 X 1.5	33.8	
20	BH20S	39	55	17.5	33.5	41	41	36	M30 X 2	400	57.3
25	BH25S	44	59	20.0	35.0	46	46	46	M36 X 2		94.9
30	BH30S	48	64	21.5	37.5	50	50	50	M42 X 2		112.0
38	BH38S	53	68	22.0	37.0	65	65	60	M52 X 2		179.3

E = 16MM MAXIMUM WALL THICKNESS

*316Ti Stainless Steel

*Pressures up to 630 BAR

*Dimensions to EN ISO 8434-1/DIN 2353

*Sizes 6mm to 42mm

DIMENSIONS SUBJECT TO CHANGE, PLEASE CONTACT US IF CRITICAL