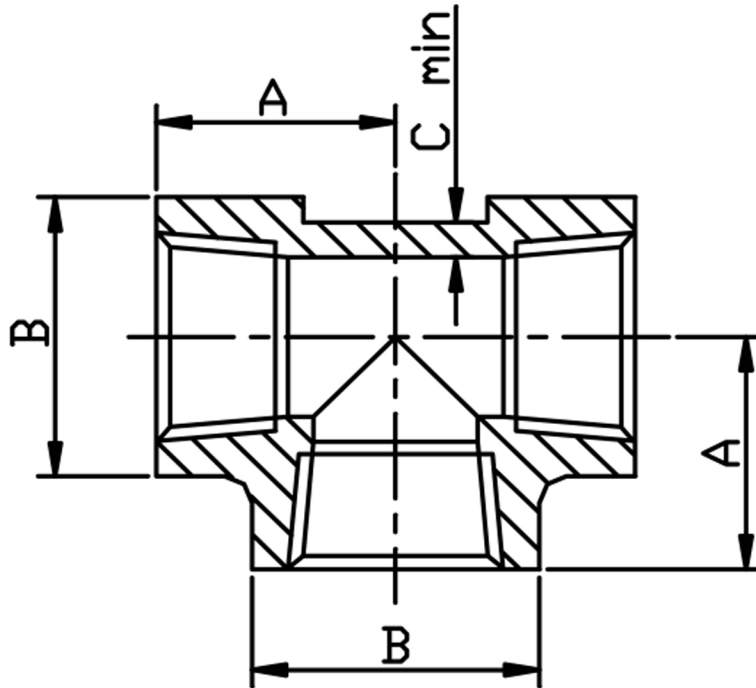


### EQUAL TEE NPT 316L



SIZE NPT	PART No	A	B	C	Kg/100
1/2	6T08N	38	46	8	10.62
3/4	6T12N	44	56	8.5	17.45
1	6T16N	51	62	10	22.73

\*NPT threaded to ANSI B2.1

\*Dimensions to ANSI B16.11/BS3799

\*6000 LB rating

\*Sizes 1/2" to 1"

\*316L stainless steel

\*Larger sizes are available

**\*\*DIMENSIONS SUBJECT TO CHANGE, PLEASE CONTACT US IF CRITICAL\*\***