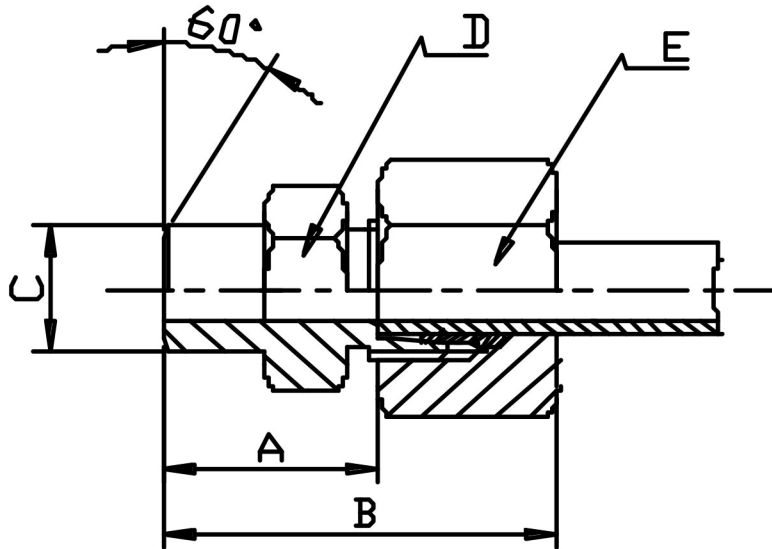


### WELDING COUPLING



TUBE	PART No	A	B	C	D	E	PN BAR	Kg 100
<b>LIGHT SERIES</b>								
6	WC06L	14.0	29	10	12	14	315	2.2
8	WC08L	16.0	31	12	14	17		3.2
10	WC10L	18.0	33	14	17	19		4.2
12	WC12L	18.0	33	16	19	22		5.4
15	WC15L	22.0	37	19	22	27		8.9
18	WC18L	23.5	40	22	27	32		13.3
22	WC22L	28.5	45	27	32	36	160	19.0
28	WC28L	30.5	47	32	41	41		26.6
35	WC35L	32.5	54	40	46	50		39.9
42	WC42L	35.0	58	46	55	60		59.5
<b>HEAVY SERIES</b>								
6	WC06S	19.0	34	11	14	17	630	3.8
8	WC08S	21.0	36	13	17	19		5.3
10	WC10S	22.5	39	15	19	22		7.3
12	WC12S	24.5	41	17	22	24		9.3
14	WC14S	27.0	45	19	24	27		12.5
16	WC16S	26.5	45	21	27	30	400	15.1
20	WC20S	29.5	51	26	32	36		24.4
25	WC25S	32.0	56	31	41	46		44.5
30	WC30S	35.5	62	36	46	50		54.8
38	WC38S	38.0	69	44	55	60	315	80.7

\*316Ti Stainless Steel

\*Pressures up to 630 BAR

\*Dimensions to EN ISO 8434-1/DIN 2353

\*Sizes 6mm to 42mm

\*\*DIMENSIONS SUBJECT TO CHANGE, PLEASE CONTACT US IF CRITICAL\*\*