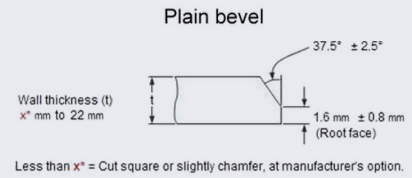
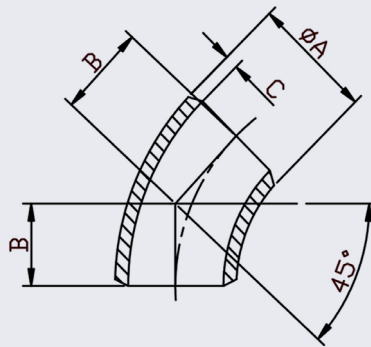


Butt Weld 45 Degree Long Radius Elbow



NERO's range of Butt Weld Long Radius 45 degree Elbows are made to ANSI B16.9. They are available in schedule 10-40 thickness and 316/L or 304/L material grades.

Radius = 1.5D

This item is of Far Eastern origin and 3.1b material certificates are available upon request.

Size	SCHEDULE 10						SCHEDULE 40					
	PRODUCT CODE		DIMENSIONS				PRODUCT CODE		DIMENSIONS			
	316/L	304/L	A	B	C	KG EACH	316/L	304/L	A	B	C	KG EACH
1/2	BEA08/1	BEA08/1-304	21.3	15.7	2.11	0.03	BEA08/4	BEA08/4-304	21.3	15.7	2.77	0.04
3/4	BEA12/1	BEA12/1-304	26.6	19.1	2.11	0.03	BEA12/4	BEA12/4-304	26.6	19.1	2.87	0.05
1	BEA16/1	BEA16/1-304	33.4	22.4	2.77	0.09	BEA16/4	BEA16/4-304	33.4	22.4	3.38	0.11
1-1/4	BEA20/1	BEA20/1-304	42.1	25.4	2.77	0.11	BEA20/4	BEA20/4-304	42.1	25.4	3.56	0.17
1-1/2	BEA24/1	BEA24/1-304	48.1	28.4	2.77	0.17	BEA24/4	BEA24/4-304	48.1	28.4	3.68	0.23
2	BEA32/1	BEA32/1-304	60.3	35.1	2.77	0.25	BEA32/4	BEA32/4-304	60.3	35.1	3.91	0.40
2-1/2	BEA40/1	BEA40/1-304	73	44.4	3.05	0.48	BEA40/4	BEA40/4-304	73	44.4	5.16	0.77
3	BEA48/1	BEA48/1-304	88.9	50.8	3.05	0.63	BEA48/4	BEA48/4-304	88.9	50.8	5.49	1.08
4	BEA64/1	BEA64/1-304	114.3	63.5	3.05	1.08	BEA64/4	BEA64/4-304	114.3	63.5	6.02	2.09
5	BEA80/1	BEA80/1-304	141.3	79.2	3.40	1.81	BEA80/4	BEA80/4-304	141.3	79.2	6.55	3.43
6	BEA96/1	BEA96/1-304	168.3	95.2	3.40	2.72	BEA96/4	BEA96/4-304	168.3	95.2	7.11	5.44
8	BEA128/1	BEA128/1-304	219.08	127	3.76	5.33	BEA128/4	BEA128/4-304	219.08	127	8.18	10.77
10	BEA160/1	BEA160/1-304	273.1	159	4.19	9.75	BEA160/4	BEA160/4-304	273.1	159	9.27	19.28
12	BEA192/1	BEA192/1-304	323.9	190.5	4.57	13.61	BEA192/4	BEA192/4-304	323.9	190.5	9.53	29.71
14	BEA224/1	BEA224/1-304	356	222	4.78	19.68						
16	BEA256/1	BEA256/1-304	406	254	4.78	25.80						

**** Dimensions subject to change - Please contact us if critical ****

Other products you might like...

Did you know we also keep 90 degree Long Radius & Short Radius Elbows?

