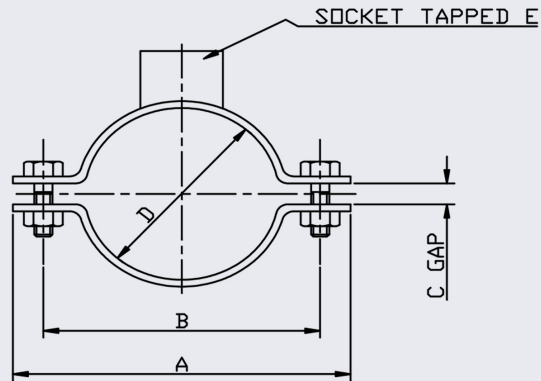


# Bossed Pipe Ring (Nominal Bore)



NERO's range of Nominal Bore Bossed Pipe Rings are made from 304L stainless steel and come with a metric tapped boss. They are supplied with nuts and bolts.

We also keep Welded and Seamless Nominal Bore Pipe to suit these Pipe Rings and we provide a cutting service to suit all your needs.



SIZE (N.B)	CODE	A	B	C	D	E	MATERIAL SIZE	BOLT SIZE	KG
1/8	BPR0.125	48	32	2	10.29	M10	20X3	M6	0.03
1/4	BPR0.25	55	38	2	13.72	M10	20X3	M6	0.09
3/8	BPR0.375	63	44	2	17.15	M10	20X3	M6	0.09
1/2	BPR0.5	75	50	3	21.34	M10	25X3	M8	0.13
3/4	BPR0.75	82	55	3	26.67	M10	25X3	M8	0.13
1	BPR1.0	92	66	3	33.4	M10	25X3	M8	0.14
1-1/4	BPR1.25	108	84	3	42.16	M10	25X3	M8	0.15
1-1/2	BPR1.5	108	84	3	48.26	M10	25X3	M8	0.15
2	BPR2.0	121	96	3	60.33	M10	25X3	M8	0.19
2-1/2	BPR2.5	137	112	3	73.03	M10	25X3	M8	0.22
3	BPR3.0	150	122	3	88.9	M10	25X3	M8	0.23
4	BPR4.0	206	166	5	114.3	M10	40X4	M10	0.68
5	BPR5.0	243	204	5	141.3	M10	40X4	M10	0.82
6	BPR6.0	365	226	5	168.28	M10	40X4	M10	0.90
8	BPR8.0	310	273	5	219.08	M10	40X4	M16	1.86
10	BPR10.0	375	335	5	273.05	M10	50X4	M16	2.15
12	BPR12.0	435	385	5	315.01	M10	50X5	M16	2.50

**\*\* Dimensions subject to change - Please contact us if critical \*\***

## Other products you might like...

We also keep Back Plates and Threaded Rod to suit this Bossed Pipe Ring

