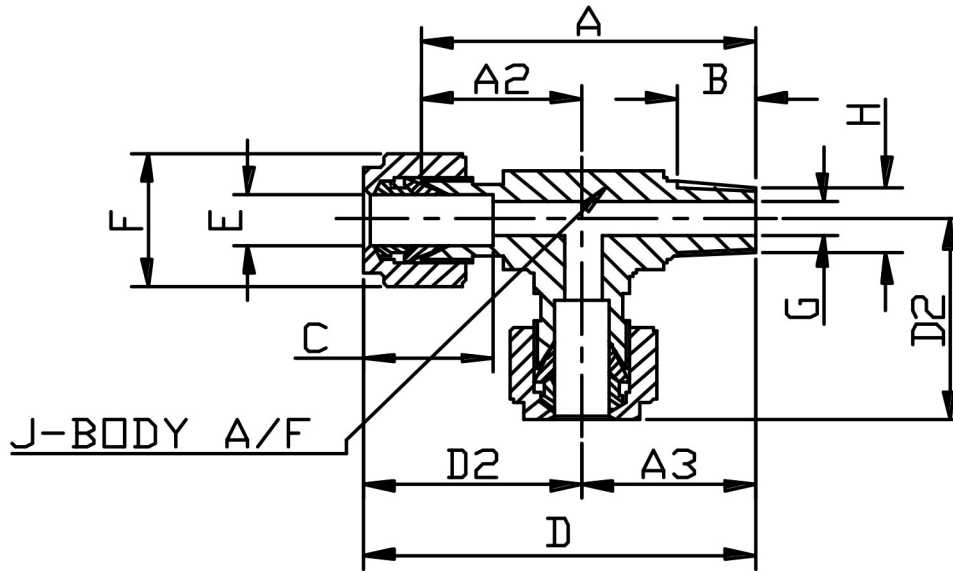


MALE RUN TEE NPT (FRACTIONAL)



E TUBE	H THREAD	PART No	A	A2	A3	B	C	D	D2	F HEX	G	J A/F	Kg/100
1/4	1/8	4TMT2NPT	39.7	20.6	19.1	9.5	15.1	47.3	28.2	14.3	4.8	12.7	5.4
1/4	1/4	4TMT4NPT	45.2	20.6	24.6	14.3	15.1	52.8	28.2	14.3	4.8	12.7	6.6
3/8	1/4	6TMT4NPT	47.6	23.0	24.6	14.3	16.7	55.2	30.6	17.5	7.1	14.3	7.8
1/2	3/8	8TMT6NPT	52.4	25.0	27.4	14.3	23.0	62.7	35.3	22.2	10.3	17.5	13.2
1/2	1/2	8TMT8NPT	64.3	30.2	34.1	19.1	23.0	74.6	40.5	22.2	10.3	17.5	23.0
5/8	1/2	10TMT8NPT	64.3	30.2	34.1	19.1	23.8	73.8	39.7	25.4	12.7	23.8	33.2
3/4	1/2	12TMT8NPT	69.9	31.8	38.1	19.1	24.6	79.8	41.7	28.9	15.9	23.8	27.0
3/4	3/4	12TMT12NPT	69.9	31.8	38.1	19.1	24.6	79.8	41.7	28.9	15.9	23.8	31.7

*316 Stainless Steel

*Fractional sizes 1/4" to 3/4"

*Silver plated nuts

DIMENSIONS SUBJECT TO CHANGE, PLEASE CONTACT US IF CRITICAL