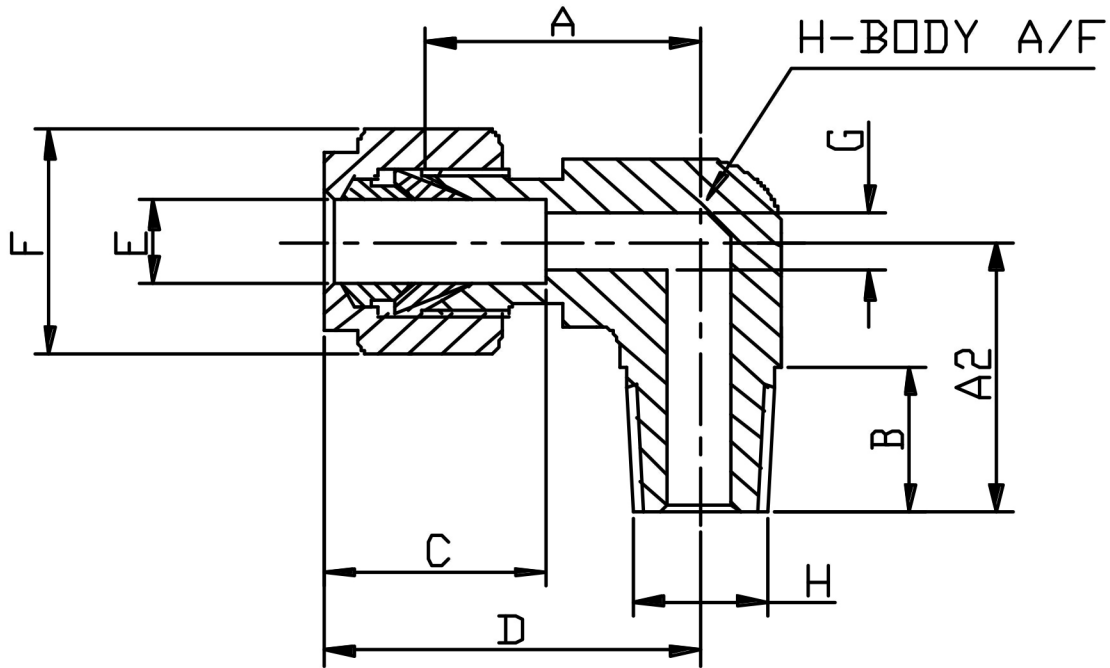


MALE STUD ELBOW BSPT (FRACTIONAL)



E TUBE	H THREAD	PART No	A	A2	B	C	D	F HEX	G	H A/F	Kg/100
1/8	1/8	2ME2BSPT	19.1	19.1	9.5	13.5	28.6	11.1	2.4	12.7	2.7
3/16	1/8	3ME2BSPT	19.8	19.1	9.5	14.3	27.8	12.7	3.2	12.7	2.8
1/4	1/8	4ME2BSPT	20.6	19.1	9.5	15.1	28.2	14.3	4.8	12.7	2.9
1/4	1/4	4ME4BSPT	20.6	23.8	14.3	15.1	28.2	14.3	4.8	12.7	3.4
1/4	3/8	4ME6BSPT	22.4	26.2	14.3	15.1	29.7	14.3	4.8	17.5	5.2
1/4	1/2	4ME8BSPT	24.4	33.0	19.1	15.1	31.8	14.3	4.8	20.6	5.9
3/8	1/4	6ME4BSPT	23.0	25.4	14.3	16.7	30.6	17.5	7.1	14.3	5.2
3/8	3/8	6ME6BSPT	23.0	28.6	14.3	16.7	30.6	17.5	7.1	14.3	5.9
3/8	1/2	6ME8BSPT	25.9	33.0	19.1	16.8	33.3	17.5	7.1	20.6	7.5
1/2	1/4	8ME4BSPT	25.9	28.2	14.2	22.9	36.1	22.2	7.1	20.6	8.9
1/2	3/8	8ME6BSPT	25.0	27.4	14.3	23.0	35.3	22.2	8.7	17.5	9.5
1/2	1/2	8ME8BSPT	25.0	33.3	19.1	23.0	35.3	22.2	10.3	17.5	11.2
5/8	1/2	10ME8BSPT	27.0	34.1	19.1	23.8	36.5	25.4	11.1	23.8	12.9
3/4	1/2	12ME8BSPT	29.8	33.3	19.1	24.6	39.7	28.6	11.1	23.8	15.1
3/4	3/4	12ME12BSPT	29.8	36.9	19.1	24.6	39.7	28.6	15.9	23.8	18.3
1	3/4	16ME12BSPT	35.7	42.1	19.1	31.4	48.8	38.1	15.9	31.8	30.9
1	1	16ME16BSPT	36.83	46.5	19.1	31.2	49.0	38.1	22.4	34.9	32.5

*316 Stainless Steel

*Fractional sizes 1/8" to 1"

*Silver plated nuts

DIMENSIONS SUBJECT TO CHANGE, PLEASE CONTACT US IF CRITICAL