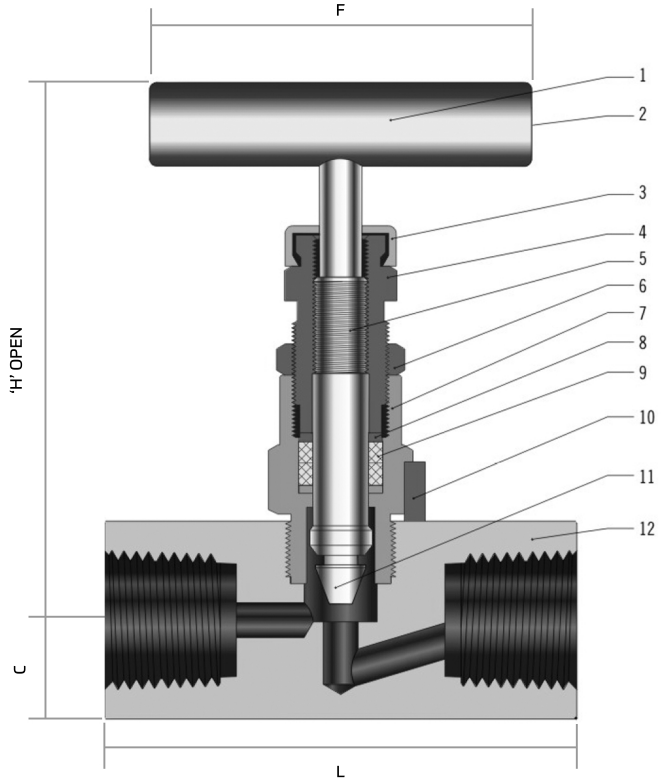




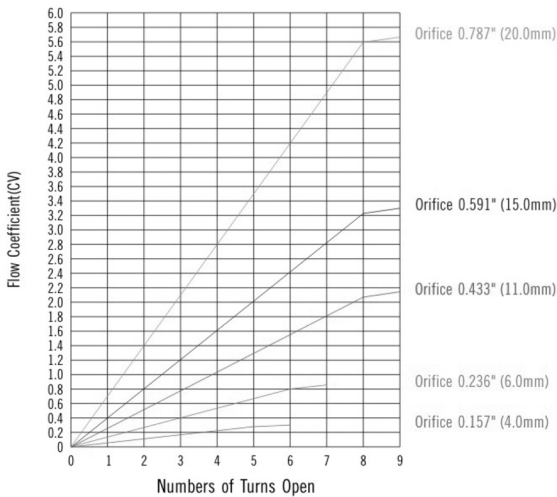
- Pressure up to 6000 PSI (414 BAR) for standard series
- Temperature from -54C to 232C with PTFE packing
- Non-rotating stem tip
- Packing below stem thread isolates the thread lubricates from the media
- Body to bonnet seal with metal to metal constant compression, isolates bonnet thread from the media
- Back seating design protects the packing in fully open position
- 100% factory tested



SIZE	PRODUCT CODE BSPP	PRODUCT CODE NPT	L	'H' OPEN	F	C	ORIFICE	CV	KG EACH
1/4	NV04	NV04N	53.8	72.4	55	12.7	4	0.35	0.15
3/8	NV06	NV06N	57.2	88.9	63.5	14.3	5	0.73	0.25
1/2	NV08	NV08N	79.2	104.8	88.9	22.2	6	0.85	0.35
3/4	NV12	NV12N	82.6	104.8	88.9	22.2	6	0.85	0.45
1	NV16	NV16N	100	132	140	31.75	8	1.62	0.65

TEMP	SS
ROOM	6000PSI
500°F	4000PSI
1000°F	1500PSI

### Flow Data at 100°F (37°C)



S.NO.	COMPONENT	MATERIAL
1	HANDLE	STAINLESS STEEL
2	SET SCREW	NICKEL CADMIUM-PLATED STEEL
3	DUST CAP	PLASTIC
4	GLAND	SS 316 (A276)
5	STEM	SS 316 (A276)
6	LOCK NUT	SS 316 (B783)
7	BONNET	SS 316 (A479)
8	PACKET WASHER	SS 316 (A276)
9	PACKING	PTFE
10	LOCK PIN	SS 304 (A276)
11	STEM TIP	SS 316 (A276) CHROME PLATED
12	BODY	SS 316 (A182 / A479)

\*\* DIMENSIONS SUBJECT TO CHANGE - PLEASE CONTACT US IF CRITICAL \*\*



5 STAR ★★★★★  
CUSTOMER SERVICE



SAME DAY DISPATCH -  
ORDERS PLACED BEFORE 4:30PM



WEALTH OF  
INDUSTRY KNOWLEDGE



ONE OF THE LARGEST  
STOCKISTS IN THE UK