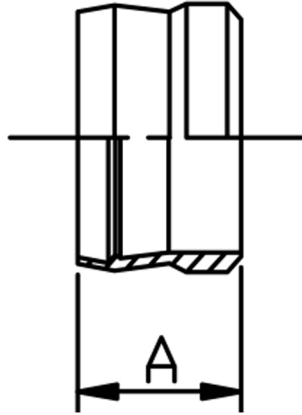


CUTTING RING (FERRULE)



TUBE	PART No	A	PN BAR	Kg 100
LIGHT SERIES				
4	CR04LL	6.0	100	0.1
6	CR06LL	7.0		0.1
8	CR08LL	7.0		0.1
6	CR06LS	9.5	630	0.2
8	CR08LS	9.5		0.2
10	CR10LS	10.5		0.3
12	CR12LS	10.0	315	0.3
15	CR15L	10.0		0.4
18	CR18L	10.0		0.6
22	CR22L	10.5	160	0.7
28	CR28L	10.5		0.9
35	CR35L	13.5		1.9
42	CR42L	13.5	2.2	
HEAVY SERIES				
14	CR14S	10.0	630	0.4
16	CR16S	10.5	400	0.6
20	CR20S	12.5		1.1
25	CR25S	12.5		1.3
30	CR30S	13.0	315	1.8
38	CR38S	13.5		2.2

*316Ti Stainless Steel (Hardened)

*Pressures up to 630 BAR

*Dimensions to EN ISO 8434-1/DIN 2353

*Sizes 4mm to 42mm

****DIMENSIONS SUBJECT TO CHANGE, PLEASE CONTACT US IF CRITICAL****