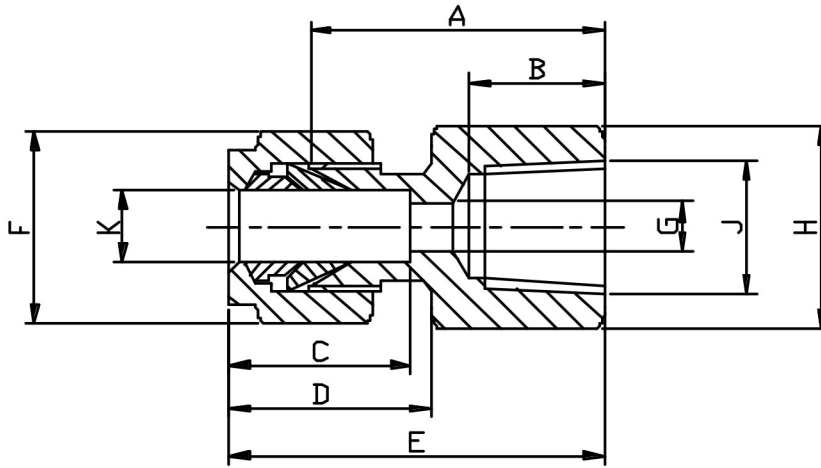


### FEMALE CONNECTOR BSPP (FRACTIONAL)



K TUBE	J THREAD	PART No	A	B	C	D	E	F HEX	G	H HEX	Kg/100
1/8	1/8	2FC2BSPP	22.2	9.92	13.5	16.3	29.8	11.1	2.4	14.3	2.4
1/8	1/4	2FC4BSPP	29.4	15.1	13.5	16.3	36.9	11.1	2.4	19.1	4.4
3/16	1/8	3FC2BSPP	23.0	9.92	14.3	16.7	30.2	12.7	3.2	14.3	2.3
3/16	1/4	3FC4BSPP	29.4	9.92	13.5	16.3	36.9	11.1	2.4	19.1	4.5
1/4	1/8	4FC2BSPP	23.8	9.92	15.1	17.9	31.4	14.3	4.8	14.3	2.8
1/4	1/4	4FC4BSPP	28.6	15.1	15.1	17.9	35.6	14.3	4.8	19.1	4.6
1/4	3/8	4FC6BSPP	30.2	15.0	15.2	17.8	37.6	14.3	4.8	22.2	6.3
1/4	1/2	4FC8BSPP	35.1	19.8	15.2	17.8	42.4	14.3	4.8	27.0	6.4
5/16	1/4	5FC4BSPP	29.5	15.0	16.3	19.0	36.8	15.9	6.4	19.1	5.6
3/8	1/4	6FC4BSPP	30.1	15.1	16.7	19.5	37.7	17.5	7.1	19.1	5.1
3/8	3/8	6FC6BSPP	31.8	15.1	16.7	19.5	39.3	17.5	7.1	22.2	6.4
3/8	1/2	6FC8BSPP	36.6	19.8	16.7	19.5	43.9	17.5	7.1	27.0	8.0
1/2	1/4	8FC4BSPP	30.2	15.0	22.3	21.8	40.4	17.5	7.1	33.3	6.4
1/2	3/8	8FC6BSPP	31.8	15.1	23.0	21.8	42.1	22.2	10.3	22.2	8.0
1/2	1/2	8FC8BSPP	36.5	19.8	23.0	21.8	46.8	22.2	10.3	28.6	13.5
1/2	3/4	8FC12BSPP	38.1	20.6	23.0	21.8	48.4	22.2	10.3	33.3	15.7
5/8	1/2	10FC8BSPP	37.3	19.8	23.8	21.4	46.8	25.4	12.7	28.6	13.1
5/8	3/4	10FC12BSPP	38.1	20.6	24.4	21.8	48.3	25.4	12.7	33.3	16.0
3/4	1/2	12FC8BSPP	36.5	19.8	24.6	21.8	46.8	28.5	15.9	28.5	13.8
3/4	3/4	12FC12BSPP	38.1	20.6	24.6	21.8	48.4	28.5	15.9	33.3	17.8
1	3/4	16FC12BSPP	41.3	20.6	31.4	26.6	54.4	38.1	22.2	38.1	29.8
1	1	16FC16BSPP	50.8	25.4	31.4	26.6	63.9	38.1	22.2	42.3	40.5

\*316 Stainless Steel

\*Fractional sizes 1/8" to 1"

\*Silver plated nuts

\*\*DIMENSIONS SUBJECT TO CHANGE, PLEASE CONTACT US IF CRITICAL\*\*