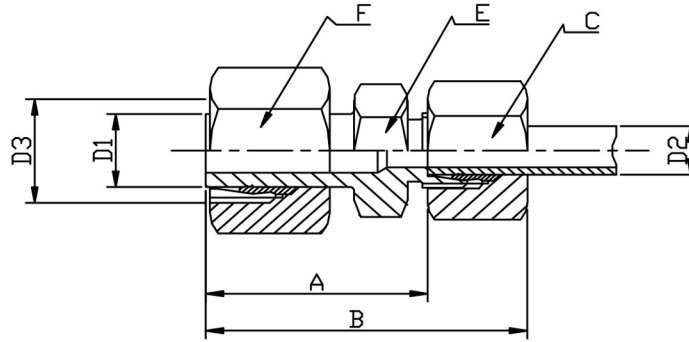


### STANDPIPE REDUCING ADAPTOR (HEAVY SERIES)



TUBE D1	TUBE D2	PART No	A	B	C	D3	E	F	PN BAR	Kg 100
8	6	SRA0806S	25.0	40	17	M16 X 1.5	14	19	630	5.4
10	6	SRA1006S	26.0	41	17	M18 X 1.5	14	22		6.9
10	8	SRA1008S	26.0	41	19	M18 X 1.5	17	22		7.5
12	6	SRA1206S	27.0	42	17	M20 X 1.5	14	24		7.8
12	8	SRA1208S	27.0	42	19	M20 X 1.5	17	24		8.4
12	10	SRA1210S	26.5	43	22	M20 X 1.5	19	24		9.6
14	6	SRA1406S	29.0	44	17	M22 X 1.5	17	27		10.3
14	8	SRA1408S	29.0	44	19	M22 X 1.5	17	27		10.8
14	10	SRA1410S	28.5	45	22	M22 X 1.5	19	27		12.0
14	12	SRA1412S	28.5	45	24	M22 X 1.5	22	27		12.7
16	6	SRA1606S	29.0	44	17	M24 X 1.5	17	30		12.3
16	8	SRA1608S	29.0	44	19	M24 X 1.5	17	30		12.8
16	10	SRA1610S	28.5	45	22	M24 X 1.5	19	30		14.4
16	12	SRA1612S	28.5	45	24	M24 X 1.5	22	30		15.1
16	14	SRA1614S	30.0	48	27	M24 X 1.5	24	30	16.9	
20	6	SRA2006S	34.0	49	17	M30 X 2	22	36	18.7	
20	8	SRA2008S	34.0	49	19	M30 X 2	22	36	20.0	
20	10	SRA2010S	33.5	50	22	M30 X 2	22	36	21.0	
20	12	SRA2012S	33.5	50	24	M30 X 2	22	36	21.7	
20	14	SRA2014S	35.0	53	27	M30 X 2	24	36	23.4	
20	16	SRA2016S	34.5	53	30	M30 X 2	27	36	25.2	
25	6	SRA2506S	37.0	52	17	M36 X 2	27	46	31.9	
25	8	SRA2508S	37.0	52	19	M36 X 2	27	46	34.5	
25	10	SRA2510S	36.5	53	22	M36 X 2	27	46	35.2	
25	12	SRA2512S	36.5	53	24	M36 X 2	27	46	35.9	
25	14	SRA2514S	37.0	55	27	M36 X 2	27	46	37.1	
25	16	SRA2516S	36.5	55	30	M36 X 2	27	46	38.7	
25	20	SRA2520S	37.5	59	36	M36 X 2	27	46	44.8	
30	6	SRA3006S	39.0	54	17	M42 X 2	32	50	37.8	
30	8	SRA3008S	39.0	54	19	M42 X 2	32	50	40.3	
30	10	SRA3010S	38.5	55	24	M42 X 2	32	50	41.1	
30	12	SRA3012S	38.5	55	24	M42 X 2	32	50	41.1	
30	14	SRA3014S	40.0	58	27	M42 X 2	32	50	42.3	
30	16	SRA3016S	39.5	58	30	M42 X 2	32	50	46.2	
30	20	SRA3020S	39.5	61	36	M42 X 2	32	50	50.5	
30	25	SRA3025S	40.0	64	46	M42 X 2	32	50	63.2	
38	6	SRA3806S	43.0	58	17	M52 X 2	41	60	55.5	
38	8	SRA3808S	43.0	58	19	M52 X 2	41	60	55.7	
38	10	SRA3810S	42.5	59	22	M52 X 2	41	60	61.5	
38	12	SRA3812S	42.5	59	24	M52 X 2	41	60	58.8	
38	14	SRA3814S	44.0	62	27	M52 X 2	41	60	60.0	
38	16	SRA3816S	43.5	62	30	M52 X 2	41	60	62.3	
38	20	SRA3820S	43.5	65	36	M52 X 2	41	60	71.9	
38	25	SRA3825S	44.0	68	46	M52 X 2	41	60	82.5	
38	30	SRA3830S	44.5	71	50	M52 X 2	46	60	85.9	

\*316Ti Stainless Steel

\*Pressures up to 630 BAR

\*Dimensions to EN ISO 8434-1/DIN 2353

\*Sizes 6mm to 38mm

\*\*DIMENSIONS SUBJECT TO CHANGE, PLEASE CONTACT US IF CRITICAL\*\*