

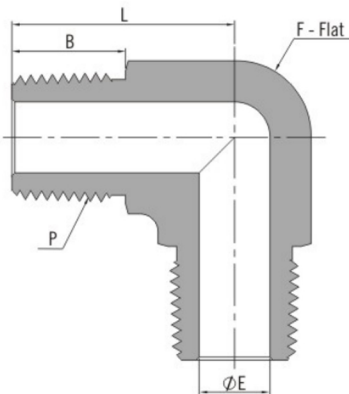
Features

- The hardened threads with smooth surface finishing avoid galling and help to extend the fitting service life.
- Radius junction design with elbows provides smooth flow path.
- Every fitting is stamped with size, material, and heat code.



Material

Material	Bar Stock	Forging	Designator
316 stainless steel	ASTM A276, ASME SA479, EN 1.4401	ASTM A182, ASME SA182, EN 1.4401	SS



SIZE	CODE	THREAD (P)	L	F	B	E	WORKING PRESSURE
1/8	INS-EMM02N	NPT	22.4	11.1	9.7	4.8	10000 PSI (689 BAR)
1/4	INS-EMM04N	NPT	26.7	12.7	14.2	7.1	8000 PSI (551 BAR)
3/8	INS-EMM06N	NPT	29.7	17.5	14.2	9.6	7800 PSI (537 BAR)
1/2	INS-EMM08N	NPT	36.8	20.6	19.1	11.9	7700 PSI (530 BAR)
3/4	INS-EMM12N	NPT	40.4	27	19.1	15.7	7300 PSI (502 BAR)
1	INS-EMM16N	NPT	50	34.9	23.9	22.4	5300 PSI (365 BAR)

** DIMENSIONS SUBJECT TO CHANGE - PLEASE CONTACT US IF CRITICAL **

