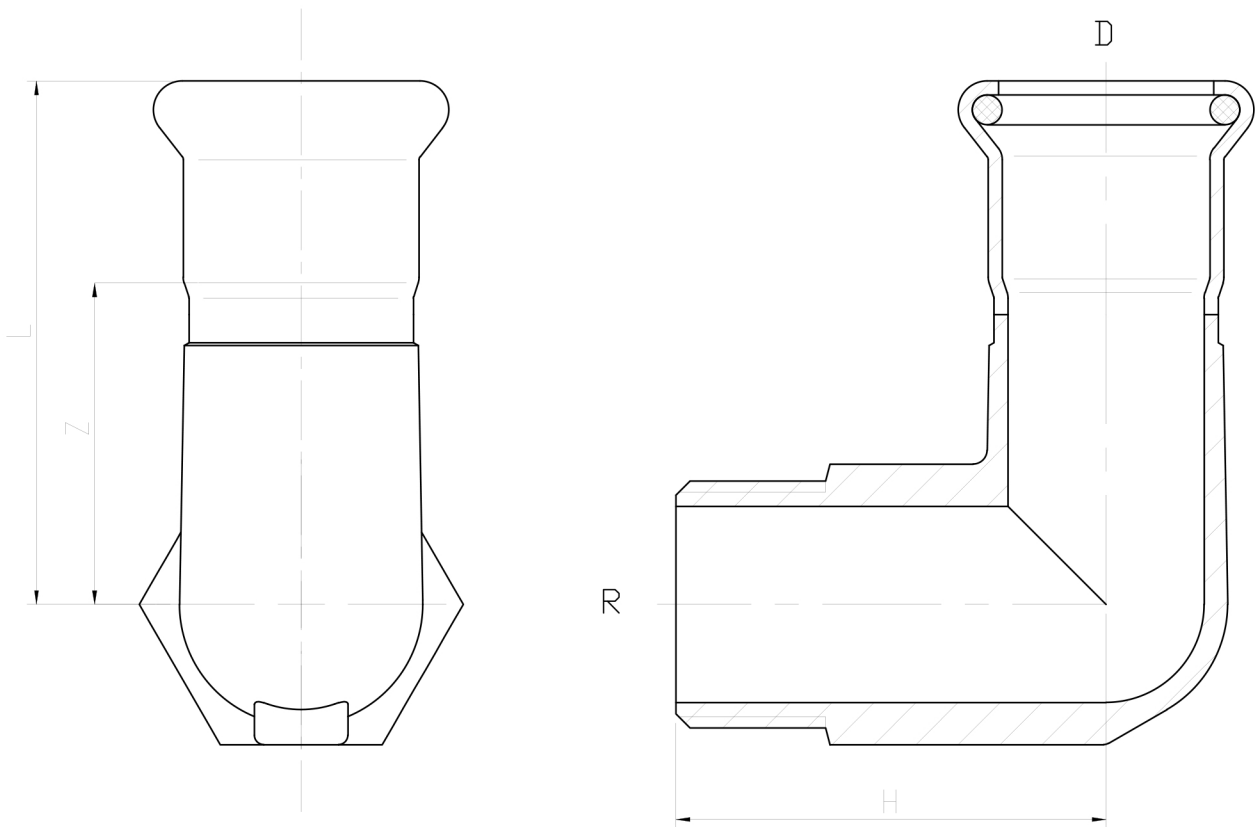


MALE ELBOW COUPLING



SIZE	PART No	D	R	L	H	Z	WEIGHT
							KG EACH
15	PFME15X1/2BSPT	15	1/2	55	37	35	0.101
18	PFME18X1/2BSPT	18	1/2	57	39	37	0.112
22	PFME22X3/4BSPT	22	3/4	61	46	39	0.17
28	PFME28X1BSPT	28	1	68	54	45	0.245
35	PFME35X11/4BSPT	35	1 1/4	76	63	50	0.43
42	PFME42X11/2BSPT	42	1 1/2	84	67	53	0.597
54	PFME54X2BSPT	54	2	94	78	59	0.82

*316L/1.4404 SS

*-35°C to +135°C (EPDM Seal)

*-20°C to +200°C (Optional FPM Seal)

*Maximum 16 BAR Operating pressure

*WRAS/DVGW Approved

*Sizes 15MM to 108MM

*Female threads Parallel Rp to EN10226-1/ISO7-1

*Male threads Taper Rc to EN10226-1/ISO7-1

****DIMENSIONS SUBJECT TO CHANGE, PLEASE CONTACT US IF CRITICAL****