

PIPE SIZE	DN	CODE BSPT	CODE NPT	A	B	C	D	E	F	G	H	J	BOLT	KG EACH	BOLT KIT
1/2	15	F300SP0.5 BSPT	F300SP0.5 NPT	35	66.5	95.2	38.1	23.6	1.6	22.3	15.7	14.2	4XM12	0.70	BK03
3/4	20	F300SP0.75 BSPT	F300SP0.75 NPT	42.9	82.6	117.3	47.8	29	1.6	25.4	19.1	15.7	4XM16	1.20	BK06
1	25	F300SP1.0 BSPT	F300SP1.0 NPT	50.8	88.9	124	53.8	35.8	1.6	26.9	19.1	17.5	4XM16	1.50	BK06
1.25	32	F300SP1.25 BSPT	F300SP1.25 NPT	63.5	98.6	133.4	63.5	44.5	1.6	26.9	19.1	19.1	4XM16	2.00	BK06
1.5	40	F300SP1.5 BSPT	F300SP1.5 NPT	73.2	114.3	155.4	69.9	50.5	1.6	30.2	22.4	20.6	4XM20	2.90	BK17
2	50	F300SP2.0 BSPT	F300SP2.0 NPT	91.9	127	165.1	84.1	63.5	1.6	33.3	19.1	22.4	8XM16	3.40	BK07
2.5	65	F300SP2.5 BSPT	F300SP2.5 NPT	104.6	149.4	190.5	100.1	76.2	1.6	38.1	22.4	25.4	8XM20	5.10	BK12
3	80	F300SP3.0 BSPT	F300SP3.0 NPT	127	168.1	209.6	117.3	92.2	1.6	42.9	22.4	28.4	8XM20	7.00	BK12
4	100	F300SP4.0 BSPT	F300SP4.0 NPT	157.2	200.2	254	146.1	117.6	1.6	47.8	22.4	31.8	8XM20	11.80	BK12

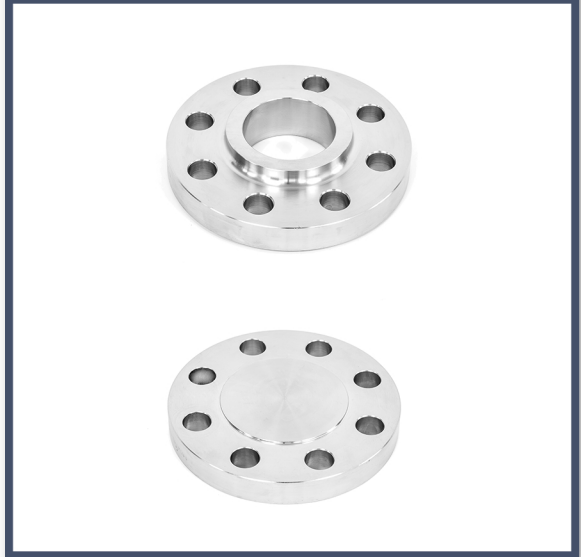
**** DIMENSIONS SUBJECT TO CHANGE - PLEASE CONTACT US IF CRITICAL ****

This flange conforms to ANSI/ASME B16.5 and is available in 316/L. Thread is to ISO 7-1

Full material traceability is available and 3.1B certification can be provided upon request.

Bolt kit sizes shown in the above table are for bolting two flanges together including the thickness of a gasket. If using a wafer pattern valve, longer bolts will be required.

We also keep Slip-On and Blind flanges to this standard



We also keep Gaskets to suit all our flanges in both EPDM and Non-Asbestos materials

