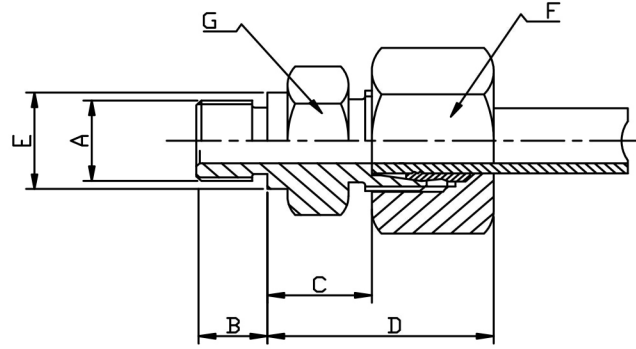


MALE STUD COUPLING BSPP



LIGHT SERIES

TUBE	A BSPP	PART No	B	C	D	E	F	G	PN BAR	Kg 100
6	1/8	MSC06L18BSPP	8	8.5	23	14	14	14	315	2.5
6	1/4	MSC06L14BSPP	12	10	27	18	14	19		4.0
6	3/8	MSC06L38BSPP	12	11.5	27	22	14	22		6.0
6	1/2	MSC06L12BSPP	14	12	27	26	14	27		8.5
8	1/8	MSC08L18BSPP	8	9	24	14	17	14		3.5
8	1/4	MSC08L14BSPP	12	10	25	18	17	19		4.4
8	3/8	MSC08L38BSPP	12	11.5	26	22	17	22		6.2
8	1/2	MSC08L12BSPP	14	12	27	26	17	27		9.0
10	1/4	MSC10L14BSPP	12	11	26	18	19	19		4.8
10	3/8	MSC10L38BSPP	12	12.5	27	22	19	22		6.3
10	1/2	MSC10L12BSPP	14	13.0	27	26	19	27		10.0
12	1/4	MSC12L14BSPP	12	12	27	18	22	19		6.0
12	3/8	MSC12L38BSPP	12	12.5	27	22	22	22		7.1
12	1/2	MSC12L12BSPP	14	13	28	26	22	27		10.0
15	3/8	MSC15L38BSPP	12	17	32	22	27	24		11.5
15	1/2	MSC15L12BSPP	14	14	29	26	27	27		11.8
15	3/4	MSC15L34BSPP	16	15.0	30	32	27	32		17.0
18	3/8	MSC18L38BSPP	12	13.5	30	22	32	27		13.5
18	1/2	MSC18L12BSPP	14	14.5	31	26	32	27	13.8	
18	3/4	MSC18L34BSPP	16	14.5	31	32	32	32	18.5	
22	1/2	MSC22L12BSPP	14	16.5	33	26	36	32	19.0	
22	3/4	MSC22L34BSPP	16	16.5	33	32	36	32	20.0	
22	1	MSC22L1BSPP	18	17.5	34	39	36	41	29.0	
28	1/2	MSC28L12BSPP	14	18.5	35	26	41	41	26.0	
28	3/4	MSC28L34BSPP	16	17.5	34	32	41	41	27.0	
28	1	MSC28L1BSPP	18	17.5	34	39	41	41	27.5	
35	1-1/4	MSC35L114BSPP	20	17.5	39	49	50	50	45.0	
42	1-1/2	MSC42L112BSPP	22	19.0	42	55	60	55	61.5	

HEAVY SERIES

TUBE	A BSPP	PART No	B	C	D	E	F	G	PN BAR	Kg 100
6	1/4	MSC06S14BSPP	12	13.0	28	18	19	17	630	5.4
6	3/8	MSC06S38BSPP	12	13.0	28	22	22	17		7.5
6	1/2	MSC06S12BSPP	14	18.0	33	26	27	17		12.5
8	1/4	MSC08S14BSPP	12	15.0	30	18	19	19		6.3
8	3/8	MSC08S38BSPP	12	15.5	30	22	22	19		8.5
8	1/2	MSC08S12BSPP	14	18.0	33	26	27	19		12.0
10	1/4	MSC10S14BSPP	12	14.5	31	18	19	22		8.0
10	3/8	MSC10S38BSPP	12	15.0	31	22	22	22		8.9
10	1/2	MSC10S12BSPP	14	15.0	32	26	27	22		12.0
12	1/4	MSC12S14BSPP	12	16.5	33	18	22	24		9.5
12	3/8	MSC12S38BSPP	12	17.0	33	22	22	24		10.0
12	1/2	MSC12S12BSPP	14	17.5	34	26	27	24		14.0
12	3/4	MSC12S34BSPP	16	14.5	31	32	32	24		15.0
14	3/8	MSC14S38BSPP	12	18.0	36	22	24	27		12.5
14	1/2	MSC14S12BSPP	14	19.0	37	26	27	27		15.5
16	1/2	MSC16S12BSPP	14	18.5	37	26	27	30		16.5
16	3/4	MSC16S34BSPP	16	18.5	37	32	32	30		22.0
20	1/2	MSC20S12BSPP	14	15.5	37	26	32	36		22.5
20	3/4	MSC20S34BSPP	16	20.5	42	32	32	36	26.5	
25	3/4	MSC25S34BSPP	16	23.0	47	32	41	46	46.5	
25	1	MSC25S1BSPP	18	23.0	47	39	41	46	49.5	
30	1-1/4	MSC30S114BSPP	20	23.5	50	49	50	50	68.0	
38	1-1/2	MSC38S112BSPP	22	26.0	57	55	55	60	315	92.9

*316Ti Stainless Steel

*Pressures up to 630 BAR

*Dimensions to EN ISO 8434-1/DIN 2353

*Sizes 6mm to 42mm

DIMENSIONS SUBJECT TO CHANGE, PLEASE CONTACT US IF CRITICAL