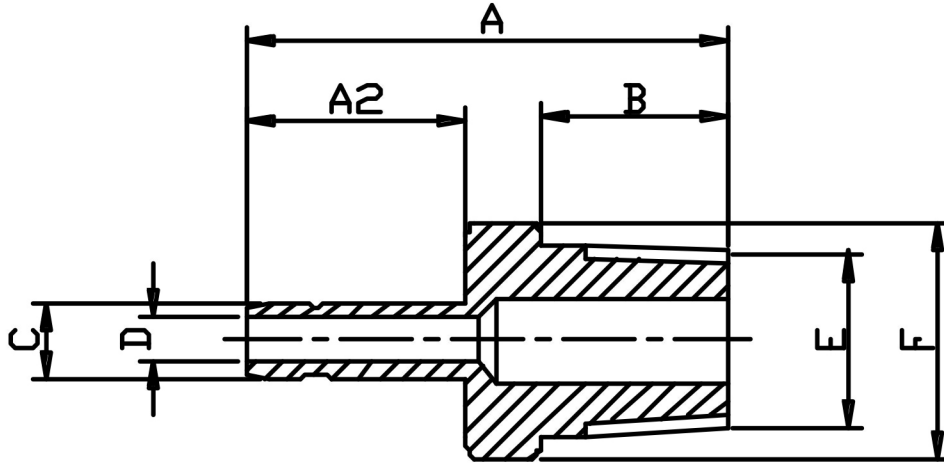


MALE STANDPIPE ADAPTOR NPT (FRACTIONAL)



C	E THREAD	PART No	A	A2	B	D	F HEX	Kg/100
1/8	1/8	2ATPM2NPT	28.6	31.0	9.5	7.9	14.3	1.0
3/16	1/8	3ATPM2NPT	29.4	14.3	9.5	3.2	14.3	1.2
1/4	1/8	4ATPM2NPT	61.1	16.7	9.5	4.4	14.3	1.4
1/4	1/4	4ATPM4NPT	36.5	16.7	14.3	4.4	14.3	1.7
1/4	1/2	4ATPM8NPT	42.9	16.7	19.1	4.4	22.2	5.0
3/8	3/8	6ATPM6NPT	38.9	18.3	14.3	6.8	17.5	2.8
3/8	1/2	6ATPM8NPT	44.5	18.3	19.1	6.8	22.2	5.2
1/2	1/4	8ATPM4NPT	44.5	23.8	14.3	7.1	14.3	2.8
1/2	1/2	8ATPM8NPT	50.0	23.8	19.1	9.1	22.2	5.9
1/2	3/4	8ATPM12NPT	50.8	23.8	19.1	9.1	27.0	8.7
3/4	1/2	12ATPM8NPT	51.6	25.4	19.1	12.7	22.2	6.4
3/4	3/4	12ATPM12NPT	54.0	25.4	19.1	14.7	28.6	9.1
3/4	1	12ATPM16NPT	58.7	25.4	19.1	14.7	34.9	13.8
1	3/4	16ATPM12NPT	60.7	32.2	19.1	19.5	28.6	12.3

*316 Stainless Steel

*Fractional sizes 1/8" to 1"

DIMENSIONS SUBJECT TO CHANGE, PLEASE CONTACT US IF CRITICAL