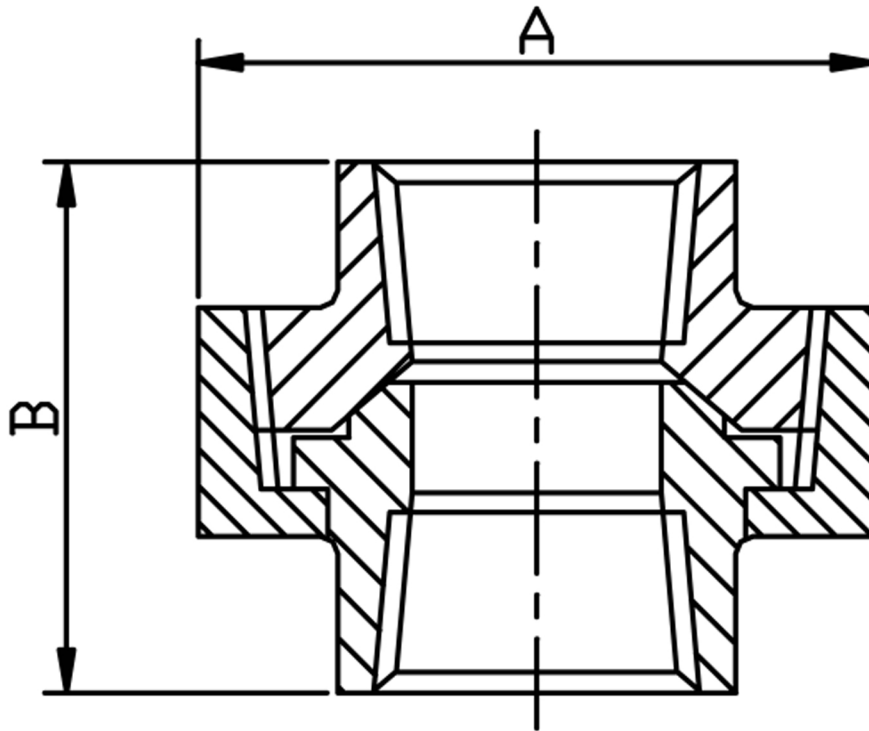


UNION CONICAL FEMALE BSPT 316L



SIZE	PART No	A	B	Kg/100
1/4	3UC04T	36	43	17.2
3/8	3UC06T	41	48	40.0
1/2	3UC08T	46	52	35.8
3/4	3UC12T	56	57	52.5
1	3UC16T	65	63	78.2
1-1/4	3UC20T	80	68	131.3
1-1/2	3UC24T	88	78	150.3
2	3UC32T	105	91	253.2

*BSPT threaded to ISO 7-1

*Dimensions to ANSI B16.11/BS3799

*3000 LB rating

*Sizes 1/4" to 2"

*316L stainless steel

*Larger sizes are available

****DIMENSIONS SUBJECT TO CHANGE, PLEASE CONTACT US IF CRITICAL****