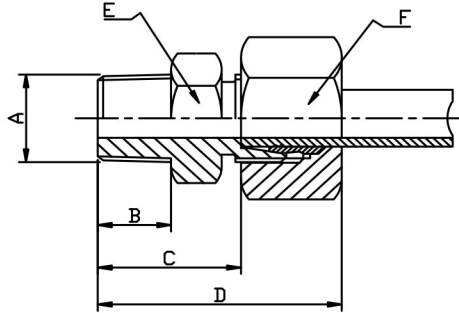


MALE STUD COUPLING NPT



LIGHT SERIES

| TUBE | A NPT | PART No | B | C | D | E | F | PN BAR | Kg 100 |
|------|----------|--------------|------|------|----|----|----|-----------|-----------|
| 4 | 1/8 | MSC04LL18NPT | 9.9 | 18.0 | 28 | 11 | 10 | 100 | 1.4 |
| 6 | 1/8 | MSC06LL18NPT | 9.9 | 16.5 | 28 | 12 | 12 | | 1.6 |
| 8 | 1/8 | MSC08LL18NPT | 9.9 | 18.5 | 30 | 12 | 14 | | 1.9 |
| 6 | 1/8 | MSC06L18NPT | 9.9 | 17.0 | 32 | 12 | 14 | | 2.4 |
| 6 | 1/4 | MSC06L14NPT | 15.1 | 23.0 | 38 | 14 | 14 | 315 | 3.5 |
| 6 | 3/8 | MSC06L38NPT | 15.3 | 24.0 | 39 | 19 | 14 | | 5.5 |
| 6 | 1/2 | MSC06L12NPT | 19.9 | 29.0 | 44 | 22 | 14 | | 7.0 |
| 8 | 1/8 | MSC08L18NPT | 10.0 | 18.0 | 33 | 17 | 14 | | 3.5 |
| 8 | 1/4 | MSC08L14NPT | 15.1 | 23.0 | 38 | 17 | 17 | | 4.0 |
| 8 | 3/8 | MSC08L38NPT | 15.3 | 24.0 | 39 | 19 | 17 | | 5.5 |
| 8 | 1/2 | MSC08L12NPT | 19.9 | 29.0 | 44 | 22 | 17 | | 8.5 |
| 10 | 1/4 | MSC10L14NPT | 15.1 | 24.0 | 39 | 17 | 19 | | 4.5 |
| 10 | 3/8 | MSC10L38NPT | 15.3 | 25.0 | 40 | 19 | 19 | | 6.0 |
| 10 | 1/2 | MSC10L12NPT | 19.9 | 30.0 | 45 | 22 | 19 | | 8.5 |
| 12 | 1/4 | MSC12L14NPT | 15.1 | 25.0 | 40 | 17 | 22 | | 5.9 |
| 12 | 3/8 | MSC12L38NPT | 15.2 | 25.0 | 40 | 19 | 22 | | 6.6 |
| 12 | 1/2 | MSC12L12NPT | 19.8 | 30.0 | 45 | 22 | 22 | | 9.0 |
| 12 | 3/4 | MSC12L34NPT | 20.1 | 31.0 | 46 | 27 | 22 | | 10.5 |
| 15 | 1/4 | MSC15L14NPT | 15.1 | 27.0 | 42 | 24 | 27 | | 9.5 |
| 15 | 3/8 | MSC15L38NPT | 15.2 | 27.0 | 42 | 24 | 27 | | 10.5 |
| 15 | 1/2 | MSC15L12NPT | 19.8 | 31.0 | 46 | 24 | 27 | 11.0 | |
| 15 | 3/4 | MSC15L34NPT | 20.1 | 31.0 | 46 | 27 | 27 | 11.5 | |
| 18 | 3/8 | MSC18L38NPT | 15.2 | 27.0 | 44 | 27 | 32 | 13.0 | |
| 18 | 1/2 | MSC18L12NPT | 19.8 | 31.5 | 48 | 27 | 32 | 14.0 | |
| 18 | 3/4 | MSC18L34NPT | 20.1 | 32.0 | 49 | 27 | 32 | 17.0 | |
| 22 | 1/2 | MSC22L12NPT | 19.8 | 28.5 | 45 | 32 | 36 | 18.0 | |
| 22 | 3/4 | MSC22L34NPT | 20.1 | 33.5 | 50 | 32 | 36 | 20.0 | |
| 22 | 1 | MSC22L1NPT | 25.0 | 39.5 | 56 | 36 | 36 | 21.5 | |
| 28 | 3/4 | MSC28L34NPT | 20.1 | 34.5 | 51 | 41 | 41 | 25.0 | |
| 28 | 1 | MSC28L1NPT | 25.0 | 39.3 | 56 | 41 | 41 | 27.5 | |
| 35 | 1 | MSC35L1NPT | 25.0 | 39.5 | 61 | 46 | 50 | 50 | |
| 35 | 1-1/4 | MSC35L114NPT | 25.6 | 40.5 | 62 | 46 | 50 | 55 | |
| 42 | 1-1/4 | MSC42L114NPT | 25.6 | 42.0 | 65 | 55 | 60 | 60 | |
| 42 | 1-1/2 | MSC42L112NPT | 26.0 | 42.0 | 65 | 55 | 60 | 61.5 | |

HEAVY SERIES

| TUBE | A NPT | PART No | B | C | D | E | F | PN BAR | Kg 100 |
|------|----------|--------------|------|------|----|----|----|-----------|-----------|
| 6 | 1/8 | MSC06S18NPT | 10.0 | 28.0 | 43 | 17 | 17 | 630 | 4.5 |
| 6 | 1/4 | MSC06S14NPT | 15.1 | 28.0 | 43 | 17 | 17 | | 6.0 |
| 6 | 3/8 | MSC06S38NPT | 15.3 | 28.0 | 43 | 19 | 17 | | 7.0 |
| 6 | 1/2 | MSC06S12NPT | 19.9 | 35.0 | 50 | 22 | 17 | | 11.0 |
| 8 | 1/8 | MSC08S18NPT | 10.0 | 21.0 | 36 | 17 | 19 | | 5.0 |
| 8 | 1/4 | MSC08S14NPT | 15.1 | 28.0 | 43 | 17 | 19 | | 6.0 |
| 10 | 1/4 | MSC10S14NPT | 15.1 | 27.5 | 44 | 19 | 22 | | 7.5 |
| 10 | 3/8 | MSC10S38NPT | 15.2 | 27.5 | 44 | 19 | 22 | | 8.0 |
| 10 | 1/2 | MSC10S12NPT | 15.1 | 30.0 | 47 | 22 | 22 | | 12.0 |
| 12 | 1/4 | MSC12S14NPT | 15.1 | 29.5 | 46 | 22 | 24 | | 9.0 |
| 12 | 3/8 | MSC12S38NPT | 15.2 | 29.5 | 46 | 22 | 24 | | 10.0 |
| 12 | 1/2 | MSC12S12NPT | 19.8 | 34.5 | 51 | 24 | 24 | | 12.0 |
| 12 | 3/4 | MSC12S34NPT | 20.2 | 35.0 | 52 | 27 | 24 | | 17.0 |
| 14 | 1/4 | MSC14S14NPT | 15.1 | 31.0 | 49 | 24 | 27 | | 12.5 |
| 14 | 3/8 | MSC14S38NPT | 15.1 | 31.0 | 49 | 24 | 27 | | 13.0 |
| 14 | 1/2 | MSC14S12NPT | 19.8 | 36.0 | 54 | 24 | 27 | | 14.5 |
| 16 | 1/2 | MSC16S12NPT | 19.8 | 35.5 | 54 | 27 | 30 | 16.5 | |
| 16 | 3/4 | MSC16S34NPT | 20.1 | 35.5 | 54 | 27 | 30 | 20.5 | |
| 20 | 3/4 | MSC20S34NPT | 20.1 | 35.5 | 59 | 32 | 36 | 25.5 | |
| 25 | 1 | MSC25S1NPT | 25.0 | 45.0 | 69 | 41 | 46 | 50.0 | |
| 30 | 1-1/4 | MSC30S114NPT | 25.6 | 46.5 | 73 | 46 | 50 | 65.0 | |
| 38 | 1-1/2 | MSC38S112NPT | 26.0 | 49.0 | 80 | 55 | 60 | 315 | 94.4 |

*316Ti Stainless Steel

*Pressures up to 630 BAR

*Dimensions to EN ISO 8434-1/DIN 2353

*Sizes 4mm to 42mm

DIMENSIONS SUBJECT TO CHANGE, PLEASE CONTACT US IF CRITICAL