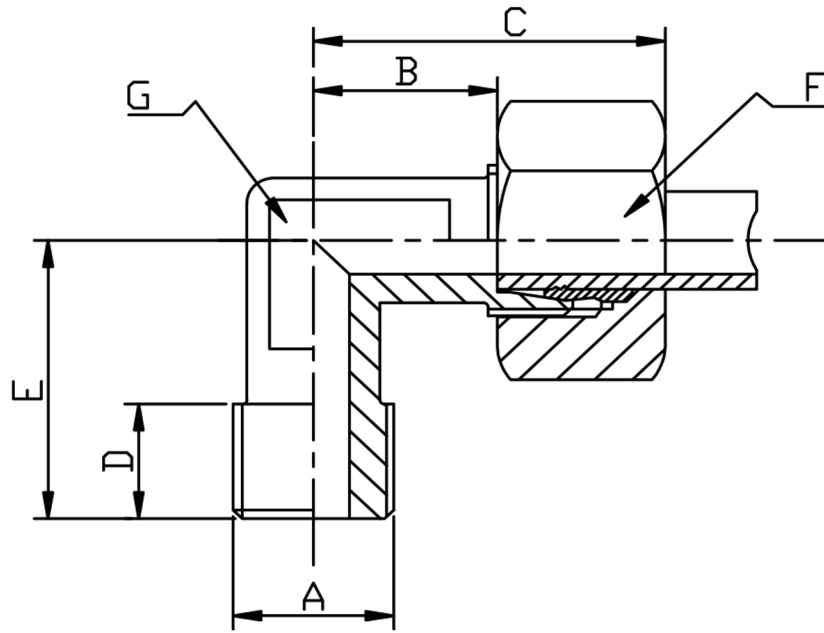


MALE STUD ELBOW BSPT



TUBE	A BSPT	PART No	B	C	D	E	F	G	PN BAR	Kg 100
LIGHT SERIES										
4	1/8	MSE04LL18BSPT	11.0	21	8	17	10	11	100	1.7
6	1/8	MSE06LL18BSPT	9.5	21	8	17	12	11		1.7
8	1/8	MSE08LL18BSPT	11.5	23	8	20	14	12		2.4
6	1/8	MSE06L18BSPT	12.0	27	8	20	14	12	315	3.2
6	1/4	MSE06L14BSPT	12.0	27	12	24	14	12		4.0
8	1/8	MSE08L18BSPT	14.0	27	8	24	17	12		4.2
8	1/4	MSE08L14BSPT	14.0	29	12	26	17	12		4.6
8	3/8	MSE08L38BSPT	15.0	30	12	27	17	14		5.0
8	1/2	MSE08L12BSPT	17.0	32	14	30	17	19		5.5
10	1/4	MSE10L14BSPT	15.0	30	12	27	19	14		5.7
10	3/8	MSE10L38BSPT	15.0	30	12	28	19	14		6.0
10	1/2	MSE10L12BSPT	15.0	30	14	30	19	19		6.5
12	1/4	MSE12L14BSPT	17.0	32	12	28	22	17		7.0
12	3/8	MSE12L38BSPT	17.0	32	12	28	22	17		7.8
12	1/2	MSE12L12BSPT	21.0	36	14	32	22	19		8.2
15	1/2	MSE15L12BSPT	21.0	36	14	34	27	19		13.7
18	1/2	MSE18L12BSPT	23.5	40	14	36	32	24		18.9
HEAVY SERIES										
6	1/4	MSE06S14BSPT	16.0	31	12	26	17	14	630	5.5
8	1/4	MSE08S14BSPT	17.0	32	12	27	19	17		6.9
10	3/8	MSE10S38BSPT	17.5	34	12	28	22	17		10.0
12	3/8	MSE12S38BSPT	21.5	38	12	28	24	22		11.5
14	1/2	MSE14S12BSPT	22.0	40	14	32	27	19		15.7
16	1/2	MSE16S12BSPT	24.5	43	14	32	30	24	400	19.1

*316Ti Stainless Steel

*Pressures up to 630 BAR

*Dimensions to EN ISO 8434-1/DIN 2353

*Sizes 4mm to 18mm

DIMENSIONS SUBJECT TO CHANGE, PLEASE CONTACT US IF CRITICAL