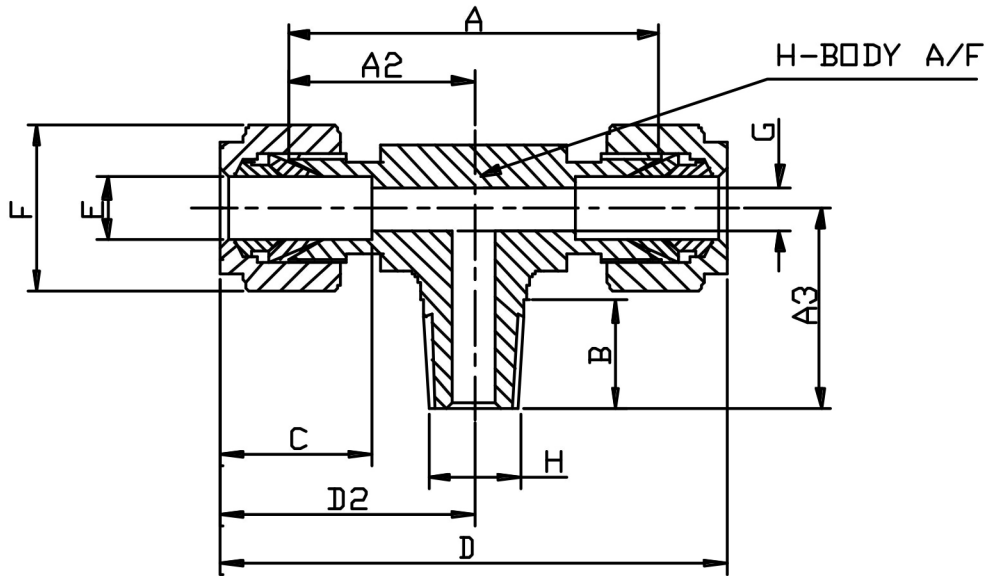


### MALE BRANCH TEE BSPT (METRIC)



| E<br>TUBE | H<br>THREAD | PART No      | A    | A2   | A3   | B    | C    | D    | D2   | F<br>HEX | G    | H<br>A/F | Kg/100 |
|-----------|-------------|--------------|------|------|------|------|------|------|------|----------|------|----------|--------|
| 6         | 1/8         | 6mTTM2BSPT   | 41.3 | 21.6 | 19.1 | 9.5  | 16.1 | 57.4 | 28.7 | 14       | 4.7  | 13       | 5.2    |
| 6         | 1/4         | 6mTTM4BSPT   | 42.8 | 21.4 | 24.6 | 14.3 | 16.1 | 59.2 | 29.6 | 14       | 4.7  | 13       | 6.7    |
| 10        | 1/4         | 10mTTM4BSPT  | 47.6 | 23.8 | 24.6 | 14.3 | 17.7 | 64.0 | 32.0 | 19       | 7.9  | 14       | 7.1    |
| 12        | 3/8         | 12mTTM6BSPT  | 50.0 | 25.0 | 27.4 | 14.3 | 23.5 | 71.6 | 35.8 | 22       | 9.5  | 17       | 14.4   |
| 12        | 1/2         | 12mTTM8BSPT  | 60.4 | 30.2 | 34.9 | 19.1 | 23.5 | 82.0 | 41.0 | 22       | 9.5  | 24       | 23.9   |
| 16        | 1/2         | 16mTTM8BSPT  | 60.4 | 30.2 | 34.9 | 19.1 | 25.1 | 82.0 | 41.0 | 25       | 12.7 | 24       | 23.4   |
| 20        | 1/2         | 20mTTM8BSPT  | 71.4 | 35.7 | 34.9 | 19.1 | 25.1 | 93.0 | 46.5 | 30       | 16.7 | 32       | 22.8   |
| 20        | 3/4         | 20mTTM12BSPT | 71.4 | 35.7 | 41.2 | 19.1 | 25.1 | 93.0 | 46.5 | 30       | 16.7 | 32       | 24.4   |
| 25        | 3/4         | 25MTTM12BSPT | 71.4 | 35.7 | 41.2 | 19.1 | 31.8 | 96.8 | 48.4 | 38       | 16.7 | 32       | 42.0   |

\*316 Stainless Steel

\*Metric sizes 6mm to 25mm

\*Silver plated nuts

\*\*DIMENSIONS SUBJECT TO CHANGE, PLEASE CONTACT US IF CRITICAL\*\*