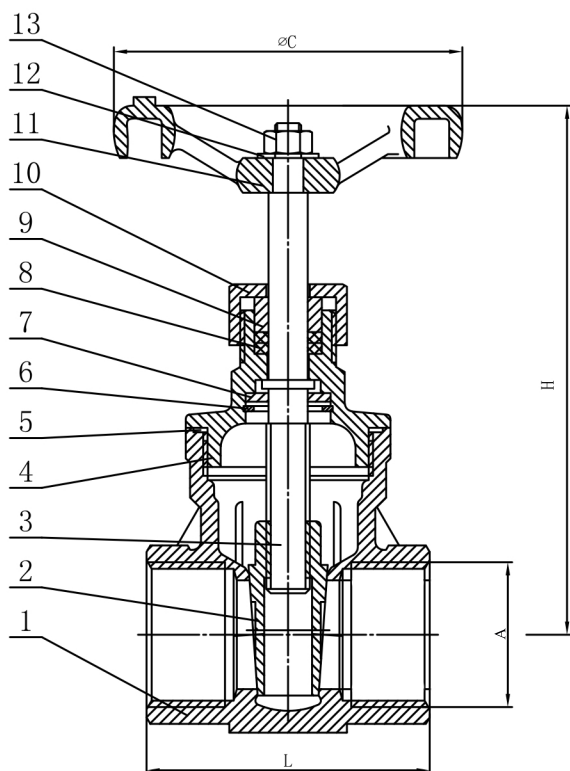
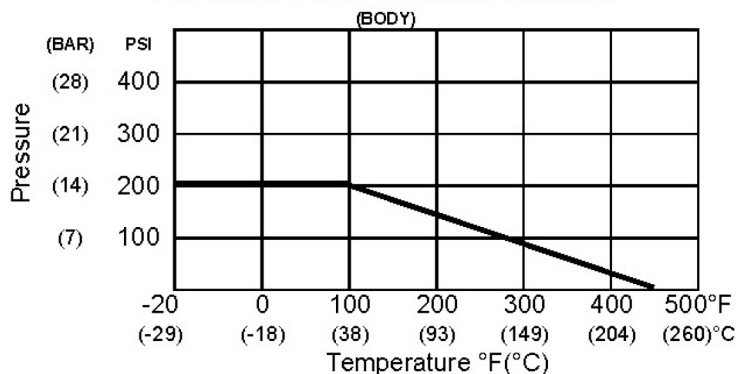


GATE VALVE BSPP



Main Technical Parameter		
Normal pressure	200	PSi
Test pressure	Shell test pressure	3.8
	Tightness test	2.8
	Gas-Tightness test	0.6
Max working temperature	-20~180	°C
Applicable medium: water, gas, oil, acid		

PRESSURE TEMPERATURE RATINGS



No.	Parts name	Material	No.	Parts name	Material
1	Disc	ASTM A276 316	9	Gland	ASTM A276 304
2	Body	ASTM A351 CF8M	10	Cap Nut	ASTM A351 CF8M
3	Stem	ASTM A276 316	11	Handwheel	QT400-18
4	Cap	ASTM A351 CF8M	12	Spring washer	ASTM A193-B8
5	Gasket	PTFE	13	Handle nut	ASTM A194-B8M
6	Stop Gasket	ASTM A276 304	14		
7	Washer	ASTM A276 304	15		
8	V-Ring Packing	PTFE	16		

Sizes : 3/8" to 3"
 Working pressure : 200 PSI (14 bar)
 Non rising stem
 Body : CF8M 316
 Solid wedge disc
 Threaded ends : ISO 228/1 BSPP
 For chemical and industrial applications
 Inspection test to API 598

SIZE BSPP	PART No	A	L	H	C	CV FACTOR	Kg
3/8	GV06	12	55	95	70	16	0.30
1/2	GV08	16	55	95	70	19	0.42
3/4	GV12	20	60	102	70	37	0.56
1	GV16	26	65	115	80	64	0.75
1 1/4	GV20	32	75	130	80	103	1.00
1 1/2	GV24	40	80	145	100	143	1.50
2	GV32	50	95	170	100	360	1.95
2 1/2	GV40	65	106.5	200	126	440	4.60
3	GV48	80	116.5	218	126	520	7.80

DIMENSIONS SUBJECT TO CHANGE, PLEASE CONTACT US IF CRITICAL