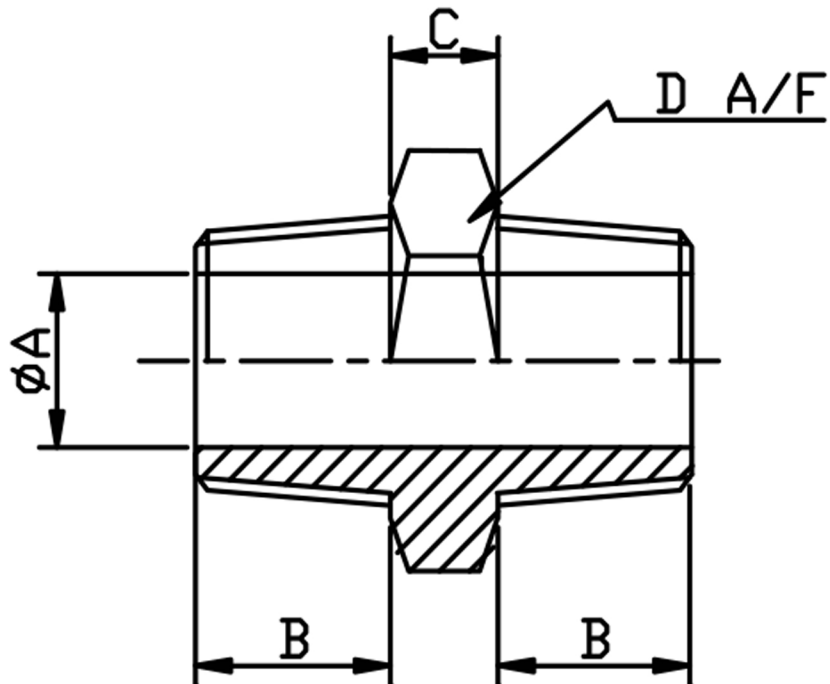


HEXAGON NIPPLE NPT 316L



SIZE NPT	PART No	A	B	C	Kg/100
1/4	6HN04N	6	15	6	0.37
3/8	6HN06N	8	16	8	0.55
1/2	6HN08N	11	20	8	0.91
3/4	6HN12N	13	21	10	1.66
1	6HN16N	17	25	10	2.98

*NPT threaded to ANSI B2.1

*Dimensions to ANSI B16.11/BS3799

*6000 LB rating

*Sizes 1/4" to 1"

*316L stainless steel

*Larger sizes are available

****DIMENSIONS SUBJECT TO CHANGE, PLEASE CONTACT US IF CRITICAL****