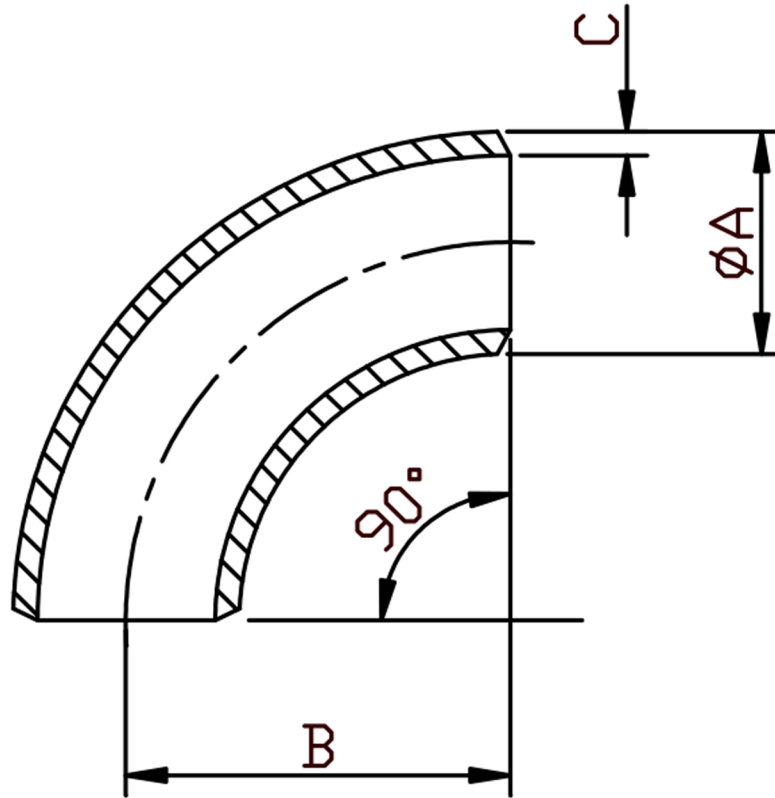


LONG RADIUS ELBOW 90 SCH40 316/L



SIZE N.B	PART NUMBER	A	B	C	Kg/100
1/2	BE08/4	21.3	38.1	2.77	7.8
3/4	BE12/4	26.6	28.6	2.87	10.3
1	BE16/4	33.4	38.1	3.38	15.4
1 1/4	BE20/4	42.1	47.6	3.56	26.0
1 1/2	BE24/4	48.1	57.2	3.68	36.8
2	BE32/4	60.3	76.2	3.91	65.2
2 1/2	BE40/4	73.0	95.2	5.16	137.0
3	BE48/4	88.9	114.0	5.49	204.0
4	BE64/4	114.3	152.0	6.02	384.0
5	BE80/4	141.3	190.0	6.55	648.0
6	BE96/4	168.3	228.6	7.11	994.0
8	BE128/4	219.08	305.0	8.18	2200

*Conforming to ASTM A403, ANSI B16.9, ANSI B16.28
 *316/L Stainless steel Welded
 *Schedule 40S Wall thickness
 *Sizes 1/2" to 8" Nominal Bore

DIMENSIONS SUBJECT TO CHANGE, PLEASE CONTACT US IF CRITICAL