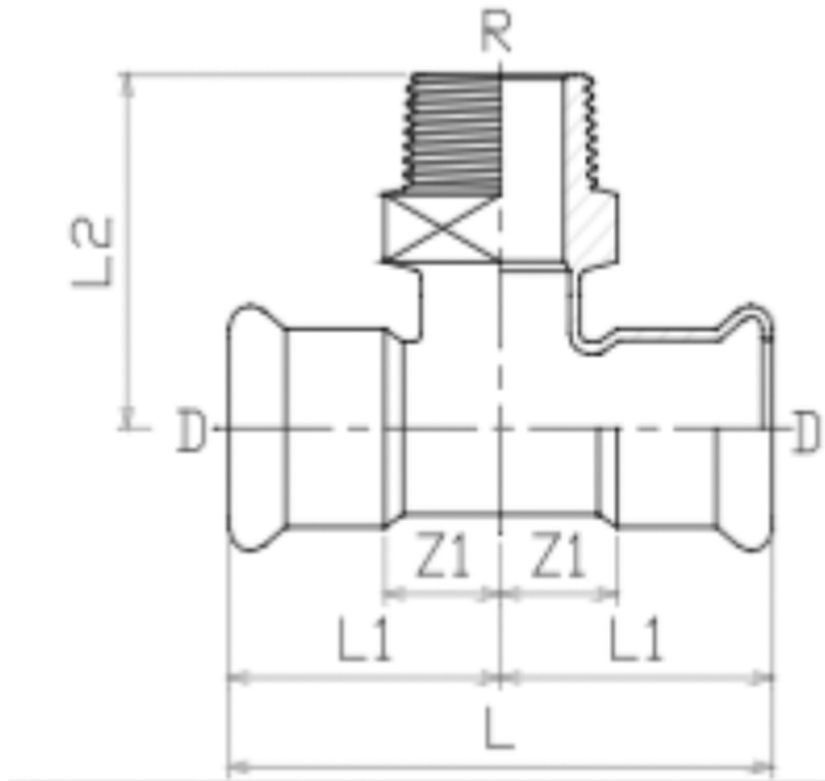


MALE THREADED TEE



SIZE	PART No	D-R-D	L	L1	LZ	Z1	WEIGHT
							KG EACH
15x1/2"x15	PFMT15X1/2BSPT	15-Rp1/2-15	66	33	38	13	0.074
18x1/2"x18	PFMT18X1/2BSPT	18-Rp1/2-18	68	34	39	14	0.087
22x1/2"x22	PFMT22X1/2BSPT	22-Rp1/2-22	74	37	41	16	0.104
22x3/4"x22	PFMT22X3/4BSPT	22-Rp3/4-22	74	37	45	16	0.141
22x1"x22	PFMT22X1BSPT	22-Rp1-22	74	37	48	16	0.162
28x1/2"x28	PFMT28X1/2BSPT	28-Rp1/2-28	84	42	44	19	0.134
28x1"x28	PFMT28X1BSPT	28-Rp1-28	84	42	51	19	0.191
35x3/4"x35	PFMT35X3/4BSPT	35-R3/4-35	100	50	51	35	0.2
35x11/4"x35	PFMT35X11/4BSPT	35-Rp11/4-35	100	50	56	24	0.257

*316L/1.4404 SS

*-35°C to +135°C (EPDM Seal)

*-20°C to +200°C (Optional FPM Seal)

*Maximum 16 BAR Operating pressure

*WRAS/DVGW Approved

*Sizes 15MM to 108MM

*Female threads Parallel Rp to EN10226-1/ISO7-1

*Male threads Taper Rc to EN10226-1/ISO7-1

****DIMENSIONS SUBJECT TO CHANGE, PLEASE CONTACT US IF CRITICAL****