

FEATURES

- Fast Connection
- High Temperature up to 150°C
- Small, compact design
- Good resistance to chemical corrosive environments
- Food safety
- Allow full flow through Hose / Tubing

MATERIAL CONSTRUCTION

- Metal Body - SS 316
- Push Button - SS 316
- Claws - SS301
- Seals - FKM

SPECIFICATIONS

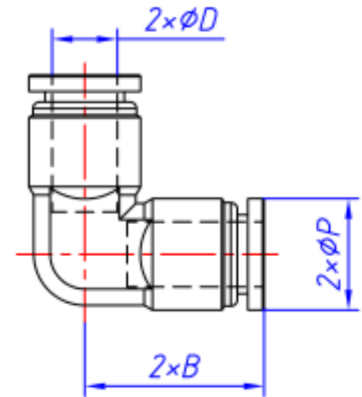
- Operating Pressure - 0-20 BAR
- Operating Temperature - -20 to 150°C
- Vacuum Rating - To 28" Hg
- Application - Air, Vacuum, Steam Beverage, Oil
- Types - Elbow

FITTINGS ADVANTAGE

- Easy to push in and pull out tubes
- Raw material is SS316L and seal is FKM, for high temp and corrosive environments
- 100% tested, no leakage



SSPV



CODE	ΦD (MM)	B	ΦP	WEIGHT (G)
PI-4MELU	4	17.5	9	18.5
PI-6MELU	6	21.1	11	23.5
PI-8MELU	8	22	13.7	31.5
PI-10MELU	10	24.6	15.5	41.5
PI-12MELU	12	28.8	18.7	61

** DIMENSIONS SUBJECT TO CHANGE - PLEASE CONTACT US IF CRITICAL **

We also stock a range of Push-In fittings to work alongside these fittings



Applications:

- Pneumatics
- Air brake, fuel and lube applications
- Production lines (industrial and automotive)



5 STAR ★★★★★
CUSTOMER SERVICE



SAME DAY DISPATCH -
ORDERS PLACED BEFORE 4:30PM



WEALTH OF
INDUSTRY KNOWLEDGE



ONE OF THE LARGEST
STOCKISTS IN THE UK

CALL: +44 (0)121 665 3900 EMAIL: INFO@NERO.CO.UK

UNIT 2, UNION RD, ANGLA AFRICAN INDUSTRIAL ESTATE, OLDBURY, WEST MIDLANDS B69 3EX

WWW.NERO.CO.UK