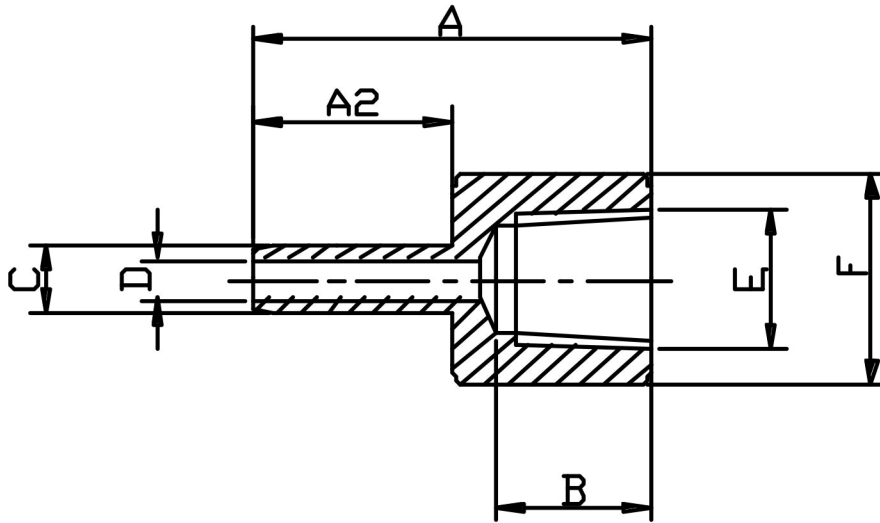


FEMALE STANDPIPE ADAPTOR NPT (FRACTIONAL)



C	E THREAD	PART No	A	A2	B	D	F HEX	Kg/100
1/8	1/4	2ATPF4NPT	31.8	31.0	15.1	1.98	19.1	3.5
1/4	1/4	4ATPF4NPT	34.5	16.7	15.1	4.37	19.1	3.1
1/4	3/8	4ATPF6NPT	36.5	16.7	15.1	4.37	22.2	4.4
1/4	1/2	4ATPF8NPT	41.3	16.7	19.8	4.37	26.7	7.9
3/8	1/4	6ATPF4NPT	36.5	18.3	15.1	6.75	19.1	3.4
3/8	3/8	6ATPF6NPT	38.1	18.3	15.1	6.75	22.2	4.5
3/8	1/2	6ATPF8NPT	42.9	18.3	19.8	9.13	28.6	8.2
1/2	1/4	8ATPF4NPT	42.1	23.8	15.1	9.13	19.1	4.1
1/2	3/8	8ATPF6NPT	43.7	23.8	15.1	9.13	22.2	5.1
1/2	1/2	8ATPF8NPT	48.4	23.8	19.8	9.13	27.0	8.5
3/4	3/8	12ATPF6NPT	45.2	25.4	15.1	14.3	22.2	6.8
3/4	1/2	12ATPF8NPT	50.0	25.4	19.8	14.7	27.0	10.0
1	3/4	16ATPF12NPT	57.2	32.2	20.6	18.7	33.3	16.0

*316 Stainless Steel

*Fractional sizes 1/8" to 1"

DIMENSIONS SUBJECT TO CHANGE, PLEASE CONTACT US IF CRITICAL