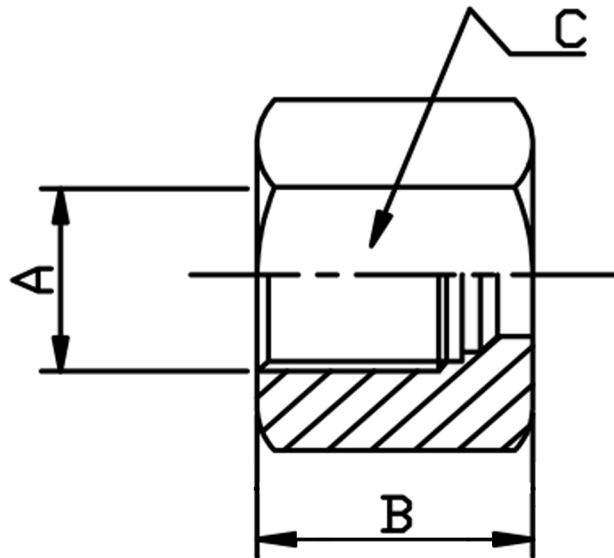


NUT



TUBE	PART No	A	B	C	PN BAR	Kg 100
LIGHT SERIES						
4	N04LL	M8 X 1	11	10	100	0.4
6	N06LL	M10 X 1	11.5	12		0.6
8	N08LL	M12 X 1	12	14		0.7
6	N06L	M12 X 1.5	15	14	315	1.0
8	N08L	M14 X 1.5	15	17		1.5
10	N10L	M16 X 1.5	16	19		1.8
12	N12L	M18 X 1.5	16	22		2.4
15	N15L	M22 X 1.5	17.5	27		4.1
18	N18L	M26 X 1.5	18.5	32		6.2
22	N22L	M30 X 2	20.5	36	160	8.6
28	N28L	M36 X 2	21	41		9.4
35	N35L	M45 X 2	24	50		14.8
42	N42L	M52 X 2	24	60		23.8
HEAVY SERIES						
6	N06S	M14 X 1.5	17	17	630	1.6
8	N08S	M16 X 1.5	17	19		1.9
10	N10S	M18 X 1.5	18	22		2.9
12	N12S	M20 X 1.5	18	24		3.4
14	N14S	M22 X 1.5	21	27	400	5.0
16	N16S	M24 X 1.5	21	30		6.4
20	N20S	M30 X 2	24.5	36		10.4
25	N25S	M36 X 2	27.0	46		21.0
30	N30S	M42 X 2	28	50		22.8
38	N38S	M52 X 2	32.5	60		31.5

*316Ti Stainless Steel

*Pressures up to 630 BAR

*Dimensions to EN ISO 8434-1/DIN 2353

*Sizes 4mm to 42mm

DIMENSIONS SUBJECT TO CHANGE, PLEASE CONTACT US IF CRITICAL