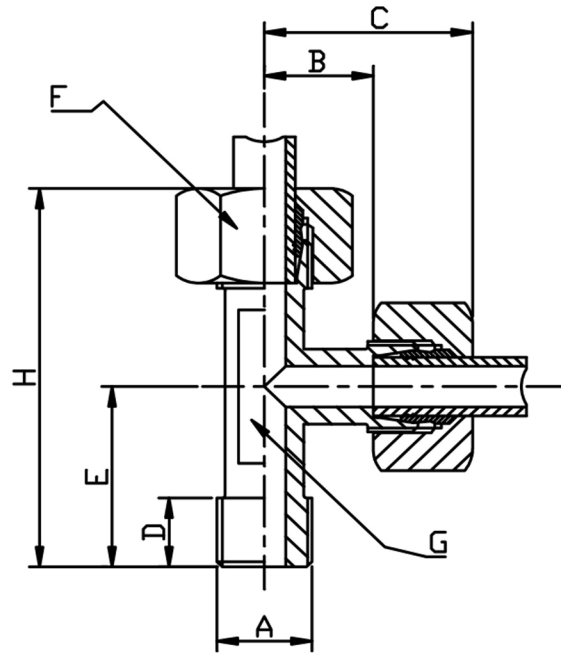


MALE RUN TEE NPT



| TUBE | A NPT | PART No | B | C | D | E | F | G | H | PN BAR | Kg 100 |
|---------------------|----------|--------------|------|----|----|----|----|----|----|-----------|-----------|
| LIGHT SERIES | | | | | | | | | | | |
| 4 | 1/8 | MRT04LL18NPT | 11.0 | 21 | 8 | 17 | 10 | 11 | 38 | 100 | 2.6 |
| 6 | 1/8 | MRT06LL18NPT | 9.5 | 21 | 8 | 17 | 12 | 11 | 38 | | 3.4 |
| 8 | 1/8 | MRT08LL18NPT | 11.5 | 23 | 8 | 20 | 14 | 12 | 43 | | 3.7 |
| 6 | 1/8 | MRT06L18NPT | 12.0 | 27 | 8 | 20 | 14 | 12 | 47 | 315 | 5.1 |
| 8 | 1/4 | MRT08L14NPT | 14.0 | 29 | 12 | 26 | 17 | 12 | 55 | | 6.9 |
| 10 | 1/4 | MRT10L14NPT | 15.0 | 30 | 12 | 27 | 19 | 17 | 57 | | 9.2 |
| 12 | 3/8 | MRT12L38NPT | 17.0 | 32 | 12 | 28 | 22 | 19 | 60 | | 12.1 |
| 15 | 1/2 | MRT15L12NPT | 21.0 | 36 | 14 | 34 | 27 | 19 | 70 | | 19.8 |
| 18 | 1/2 | MRT18L12NPT | 23.5 | 40 | 14 | 36 | 32 | 24 | 76 | | 29.1 |
| HEAVY SERIES | | | | | | | | | | | |
| 6 | 1/4 | MRT06S14NPT | 16.0 | 31 | 12 | 26 | 17 | 14 | 57 | 630 | 10.9 |
| 8 | 1/4 | MRT08S14NPT | 17.0 | 32 | 12 | 27 | 19 | 14 | 59 | | 14.0 |
| 10 | 3/8 | MRT10S38NPT | 17.5 | 34 | 12 | 28 | 22 | 19 | 62 | | 19.0 |
| 12 | 3/8 | MRT12S38NPT | 21.5 | 38 | 12 | 28 | 24 | 22 | 66 | | 24.5 |
| 14 | 1/2 | MRT14S12NPT | 22.0 | 40 | 14 | 32 | 27 | 19 | 72 | | 24.4 |
| 16 | 1/2 | MRT16S12NPT | 24.5 | 43 | 14 | 32 | 30 | 24 | 75 | 400 | 31.0 |

*316Ti Stainless Steel

*Pressures up to 630 BAR

*Dimensions to EN ISO 8434-1/DIN 2353

*Sizes 4mm to 18mm

DIMENSIONS SUBJECT TO CHANGE, PLEASE CONTACT US IF CRITICAL