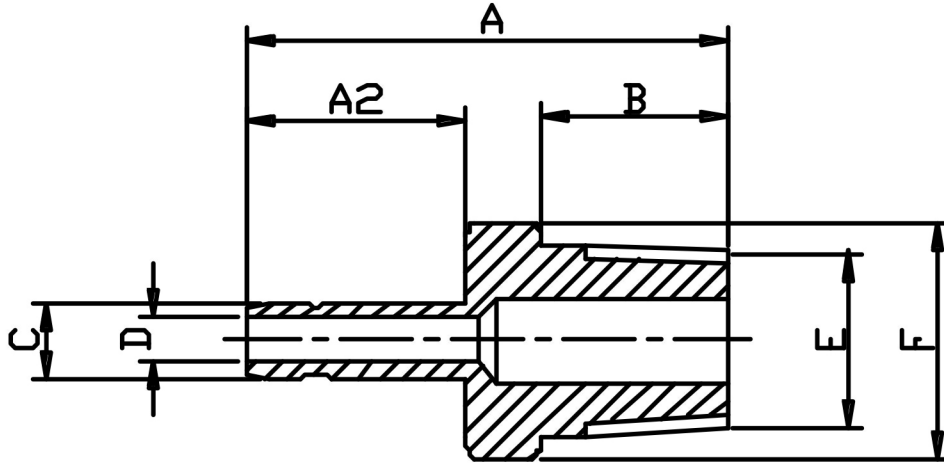


MALE STANDPIPE ADAPTOR BSPT (METRIC)



| C | E THREAD | PART No | A | A2 | B | D | F HEX | Kg/100 |
|----|----------|---------------|------|------|------|------|-------|--------|
| 4 | 1/8 | 4mATPM2BSPT | 28.6 | 13.5 | 9.5 | 2.0 | 11 | 1.0 |
| 6 | 1/8 | 6mATPM2BSPT | 31.8 | 16.7 | 9.5 | 4.0 | 11 | 1.4 |
| 6 | 1/4 | 6mATPM4BSPT | 36.5 | 16.7 | 14.3 | 4.0 | 14 | 1.7 |
| 6 | 1/2 | 6mATPM8BSPT | 42.9 | 16.7 | 19.1 | 4.0 | 22 | 4.9 |
| 10 | 1/4 | 10mATPM4BSPT | 38.1 | 18.3 | 14.3 | 7.1 | 14 | 2.1 |
| 10 | 3/8 | 10mATPM6BSPT | 38.9 | 18.3 | 14.3 | 7.1 | 17 | 2.8 |
| 10 | 1/2 | 10mATPM8BSPT | 44.5 | 18.3 | 19.1 | 7.1 | 22 | 5.1 |
| 12 | 1/4 | 12mATPM4BSPT | 44.5 | 23.8 | 14.3 | 7.1 | 14 | 2.8 |
| 12 | 3/8 | 12mATPM6BSPT | 44.5 | 23.8 | 14.3 | 8.3 | 17 | 3.8 |
| 12 | 1/2 | 12mATPM8BSPT | 50.0 | 23.8 | 19.1 | 8.3 | 22 | 5.9 |
| 12 | 3/4 | 12mATPM12BSPT | 50.8 | 23.8 | 19.1 | 8.3 | 29 | 8.7 |
| 15 | 1/2 | 15mATPM8BSPT | 51.2 | 24.2 | 19.1 | 11.8 | 22 | 8.8 |
| 16 | 1/2 | 16mATPM8BSPT | 52.4 | 25.4 | 19.1 | 12.3 | 22 | 6.1 |
| 16 | 3/4 | 16mATPM12BSPT | 52.4 | 25.4 | 19.1 | 12.3 | 29 | 7.6 |
| 20 | 3/4 | 20mATPM12BSPT | 56.3 | 27.0 | 19.1 | 16.5 | 29 | 9.1 |
| 20 | 1 | 20mATPM16BSPT | 61.9 | 27.0 | 23.8 | 15.5 | 38 | 13.8 |
| 25 | 3/4 | 25mATPM12BSPT | 60.7 | 32.1 | 19.1 | 19.1 | 29 | 12.3 |

*316 Stainless Steel

*Metric sizes 4mm to 25mm

DIMENSIONS SUBJECT TO CHANGE, PLEASE CONTACT US IF CRITICAL