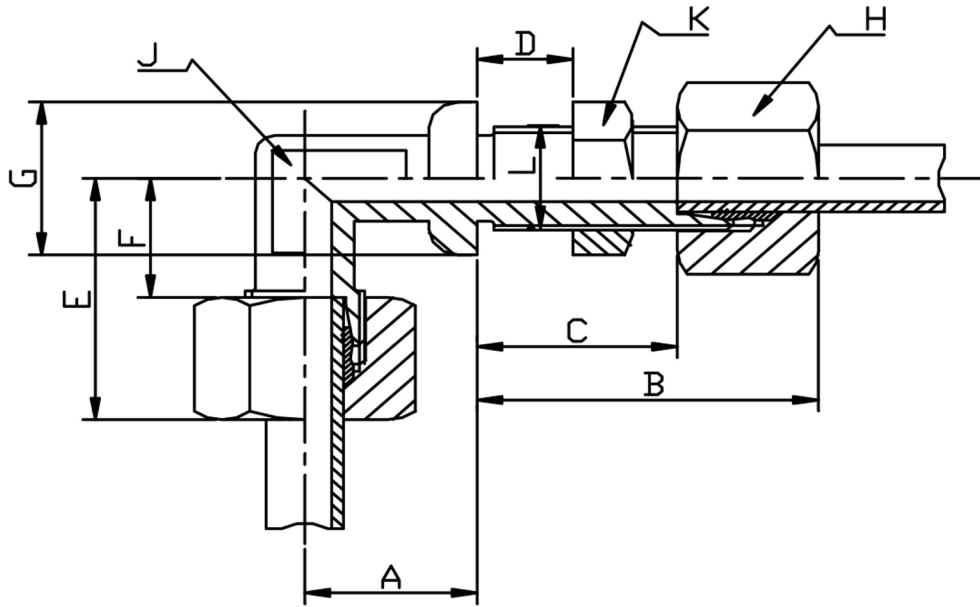


ELBOW BULKHEAD



TUBE	PART No	A	B	C	E	F	G	H	J	K	L	PN BAR	Kg 100
LIGHT SERIES													
6	BHE06L	14	42	27.0	27	12.0	17	14	12	17	M12 X 1.5	315	7.3
8	BHE08L	17	42	27.0	29	14.0	19	17	12	19	M14 X 1.5		9.6
10	BHE10L	18	43	28.0	30	15.0	22	19	14	22	M16 X 1.5		12.2
12	BHE12L	20	44	29.0	32	17.0	24	22	17	24	M18 X 1.5		15.2
15	BHE15L	23	46	31.0	36	21.0	27	27	19	30	M22 X 1.5		25.5
18	BHE18L	24	49	32.5	40	23.5	32	32	24	36	M26 X 1.5		37.5
22	BHE22L	30	51	34.5	44	27.5	36	36	27	41	M30 X 2	160	50.3
28	BHE28L	34	52	35.5	47	30.5	42	41	36	46	M36 X 2		67.8
35	BHE35L	39	58	36.5	56	34.5	50	50	41	55	M45 X 2		102.8
42	BHE42L	43	59	36.0	63	40.0	60	60	50	65	M52 X 2		158.3
HEAVY SERIES													
6	BHE06S	17	44	29.0	31	16.0	19	17	12	19	M14 X 1.5	630	10.5
8	BHE08S	18	44	29.0	32	17.0	22	19	14	22	M16 X 1.5		14.3
10	BHE10S	20	46	29.5	34	17.5	24	22	17	24	M18 X 1.5		19.3
12	BHE12S	21	47	30.5	38	21.5	27	24	17	27	M20 X 1.5		23.9
14	BHE14S	23	50	32.0	40	22.0	27	27	19	30	M22 X 1.5	400	30.5
16	BHE16S	24	50	31.5	43	24.5	30	30	24	32	M24 X 1.5		38.6
20	BHE20S	30	55	33.5	48	26.5	36	36	27	41	M30 X 2	315	61.6
25	BHE25S	34	59	35.0	54	30.0	42	46	36	46	M36 X 2		104.4
30	BHE30S	39	64	37.5	62	35.5	50	50	41	50	M42 X 2		130.0
38	BHE38S	43	68	37.0	72	41.0	60	60	50	65	M52 X 2		204.7

D = 16MM MAXIMUM WALL THICKNESS

*316Ti Stainless Steel

*Pressures up to 630 BAR

*Dimensions to EN ISO 8434-1/DIN 2353

*Sizes 6mm to 42mm

****DIMENSIONS SUBJECT TO CHANGE, PLEASE CONTACT US IF CRITICAL****