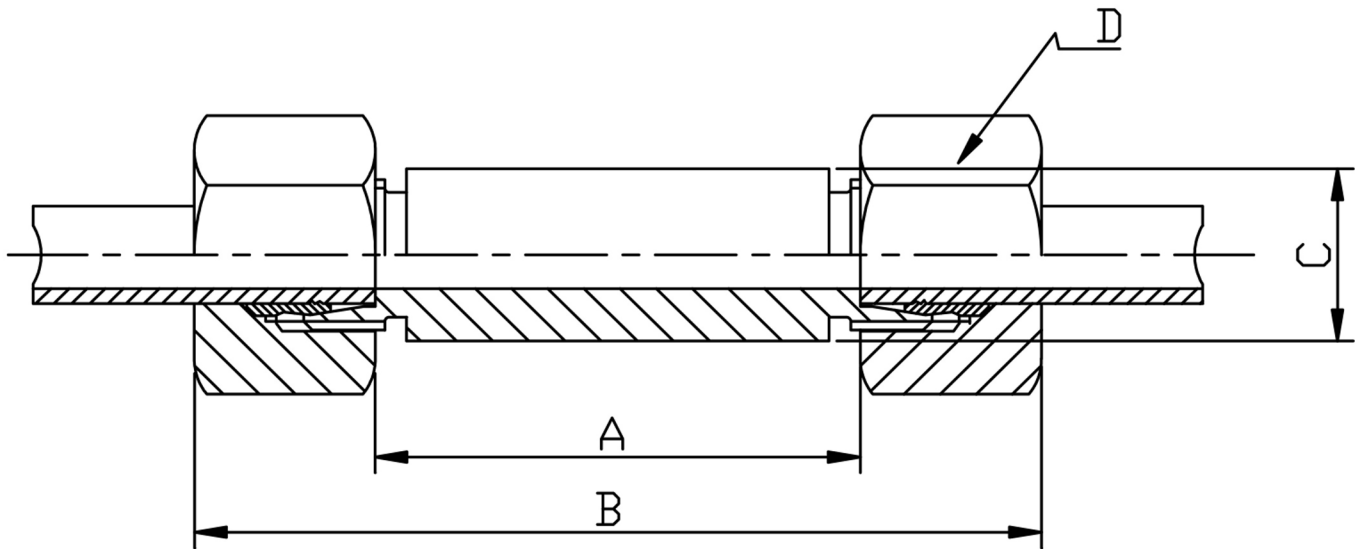


WELDING BULKHEAD



TUBE	PART No	A	B	C	D	PN BAR	Kg 100
LIGHT SERIES							
6	WBH06L	56	85	18	14	315	12.6
8	WBH08L	56	85	20	17		15.5
10	WBH10L	58	87	22	19		18.5
12	WBH12L	58	87	25	22		23.5
15	WBH15L	70	100	28	27		35.5
18	WBH18L	69	101	32	32		47.0
22	WBH22L	73	105	36	36	160	59.0
28	WBH28L	73	106	40	41		66.0
35	WBH35L	71	114	50	50		104.5
42	WBH42L	70	115	60	60		153.0
HEAVY SERIES							
6	WBH06S	60	89	20	17	630	16.9
8	WBH08S	60	89	22	19		21.0
10	WBH10S	59	91	25	22		27.0
12	WBH12S	59	91	28	24		33.1
14	WBH14S	72	107	30	27		45.5
16	WBH16S	71	107	35	30		59.5
20	WBH20S	71	114	38	36	400	74.5
25	WBH25S	72	120	45	46		116.5
30	WBH30S	73	126	50	50		138.5
38	WBH38S	72	133	60	60		315

*316Ti Stainless Steel

*Pressures up to 630 BAR

*Dimensions to EN ISO 8434-1/DIN 2353

*Sizes 6mm to 42mm

DIMENSIONS SUBJECT TO CHANGE, PLEASE CONTACT US IF CRITICAL