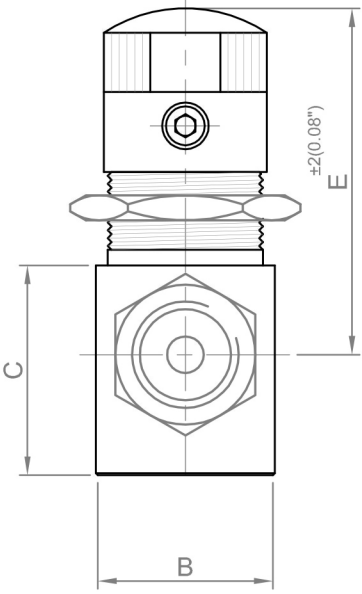
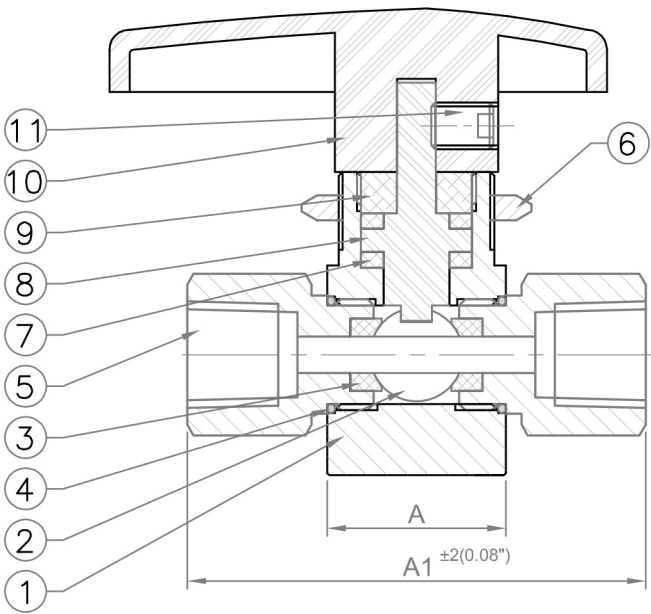


### 6000 PSI REDUCED BORE BALL VALVE NPT

(PANEL MOUNTING)



SIDE VIEW

PRESSURE TEMPERATURE RATING		
MATERIAL		SS-316
PRESSURE CLASS	TEMP.F	PSI
ANSI 2500 lbs.	-20° TO 100°	6000
	200°	5160
	300°	4660
	400°	4280

**FEATURES**

- 316 STAINLESS STEEL
- PRESSURE RATING 6000 PSI
- TESTED WITH NITROGEN AT 1000 PSI FOR LEAKAGE
- THREADED NPT TO ANSI B2.1
- REDUCED BORE DESIGN
- 1/4 TURN OPERATING HANDLE

**BILL OF MATERIAL**

P.No.	Description	Qty.	Material
1	VALVE BODY	1	SS 316
2	BALL	1	SS 316
3	BALL PACKING	2	PTFE
4	O-RING	2	VITON
5	CONNECTOR	2	SS 316
6	CHECK NUT	1	SS 316
7	STEM PACKING	2	PTFE
8	STEM	1	SS 316
9	GLAND NUT	1	SS 316
10	HANDLE	1	STD.
11	GRUB SCREW	1	S.S.

SIZE BSPP	PART NUMBER	PANEL	ORIFICE	A	B	C	C1	D	E	Kg/100
1/4	6RBV04N/PM	19	5	30	32	45	76	49	110	38
3/8	6RBV06N/PM	19	7	30	32	45	76	49	110	38.5
1/2	6RBV08N/PM	22	9.5	35	38	55	96	64	180	66.5

\*\*DIMENSIONS SUBJECT TO CHANGE, PLEASE CONTACT US IF CRITICAL\*\*