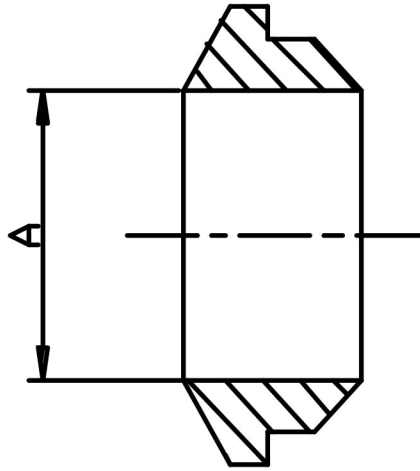


### REAR FERRULE (FRACTIONAL)



A TUBE	PART No	Kg/100
1/8	<b>2RC</b>	0.04
3/16	<b>3RC</b>	0.05
1/4	<b>4RC</b>	0.10
5/16	<b>5RC</b>	0.15
3/8	<b>6RC</b>	0.17
1/2	<b>8RC</b>	0.20
5/8	<b>10RC</b>	0.20
3/4	<b>12RC</b>	0.25
1	<b>16RC</b>	0.30

\*316 Stainless Steel

\*Fractional sizes 1/8" to 1"

\*To be used with front ferrule

\*\*DIMENSIONS SUBJECT TO CHANGE, PLEASE CONTACT US IF CRITICAL\*\*