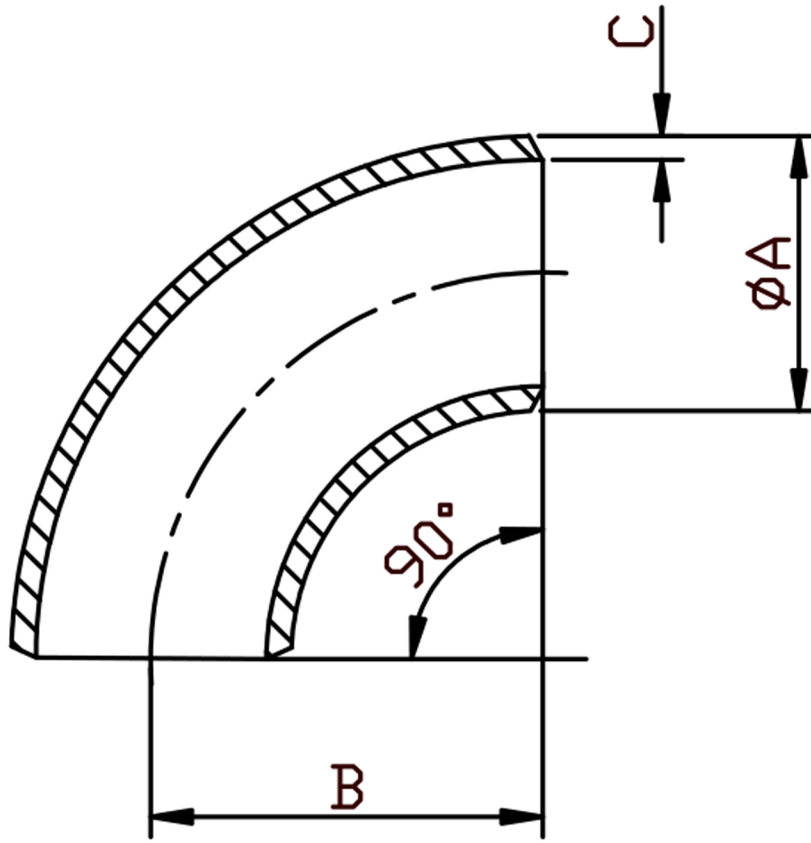


SHORT RADIUS ELBOW 90 SCH10 304/L



SIZE N.B	PART NUMBER	A	B	C	Kg/100
1	BES16/1-304	33.4	25.4	2.77	9.4
1 1/4	BES20/1-304	42.1	31.8	2.77	15.2
1 1/2	BES24/1-304	48.1	38.1	2.77	18.9
2	BES32/1-304	60.3	50.8	2.77	31.8
2 1/2	BES40/1-304	73.0	63.5	3.05	54.1
3	BES48/1-304	88.9	76.2	3.05	76.1
4	BES64/1-304	114.3	101.6	3.05	131
5	BES80/1-304	141.3	127.0	3.40	228
6	BES96/1-304	168.3	152.4	3.40	324
8	BES128/1-304	219.08	203.0	3.76	580
10	BES160/1-304	273.0	254.0	4.19	980

*Conforming to ASTM A403, ANSI B16.9, ANSI B16.28
 *304/L Stainless steel Welded
 *Schedule 10S Wall thickness
 *Sizes 1" to 10" Nominal Bore

DIMENSIONS SUBJECT TO CHANGE, PLEASE CONTACT US IF CRITICAL