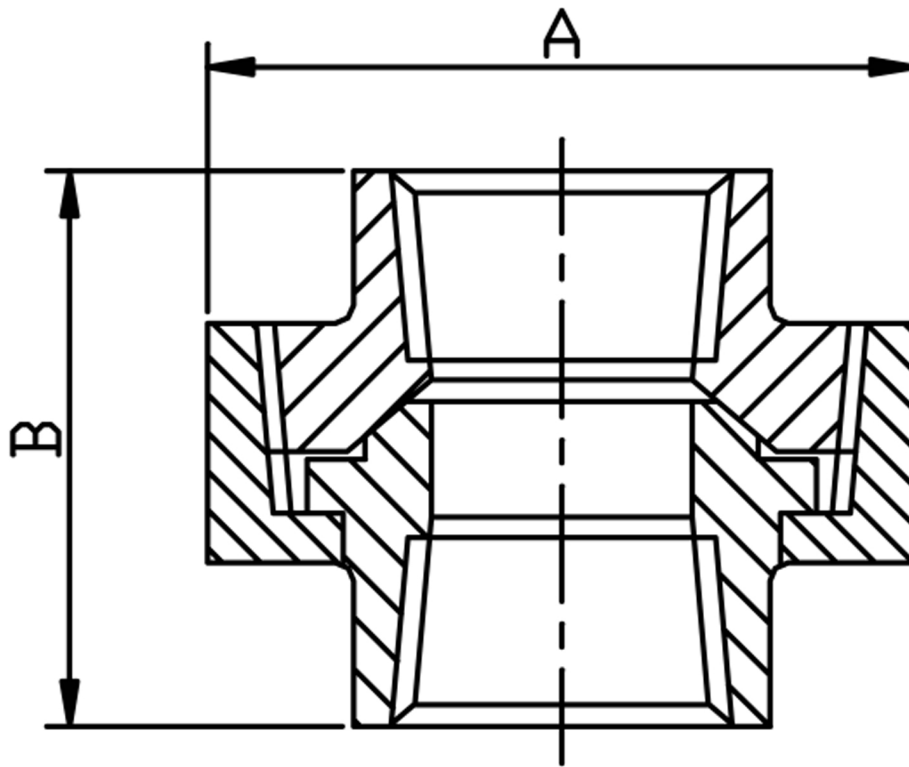


### UNION CONICAL FEMALE NPT 316L



SIZE	PART No	A	B	Kg/100
1/4	3UC04N	36	43	17.2
3/8	3UC06N	41	48	40.0
1/2	3UC08N	46	52	35.8
3/4	3UC12N	56	57	52.5
1	3UC16N	65	63	78.2
1-1/4	3UC20N	80	68	131.3
1-1/2	3UC24N	88	78	150.3
2	3UC32N	105	91	253.2

\*NPT threaded to ANSI B2.1

\*Dimensions to ANSI B16.11/BS3799

\*3000 LB rating

\*Sizes 1/4" to 2"

\*316L stainless steel

\*Larger sizes are available

\*\*DIMENSIONS SUBJECT TO CHANGE, PLEASE CONTACT US IF CRITICAL\*\*