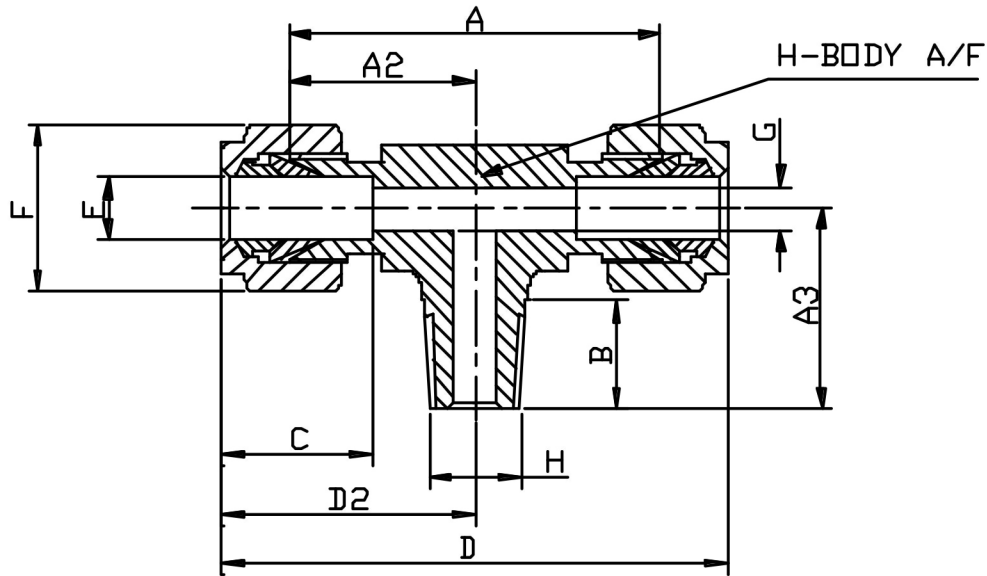


### MALE BRANCH TEE NPT (METRIC)



E TUBE	H THREAD	PART No	A	A2	A3	B	C	D	D2	F HEX	G	H A/F	Kg/100
6	1/8	6mTTM2NPT	41.3	21.6	19.1	9.5	16.1	57.4	28.7	14	4.7	13	5.2
6	1/4	6mTTM4NPT	42.8	21.4	24.6	14.3	16.1	59.2	29.6	14	4.7	13	6.7
10	1/4	10mTTM4NPT	47.6	23.8	24.6	14.3	17.7	64.0	32.0	19	7.9	14	7.1
12	3/8	12mTTM6NPT	50.0	25.0	27.4	14.3	23.5	71.6	35.8	22	9.5	17	14.4
12	1/2	12mTTM8NPT	60.4	30.2	34.9	19.1	23.5	82.0	41.0	22	9.5	24	23.9
16	1/2	16mTTM8NPT	60.4	30.2	34.9	19.1	25.1	82.0	41.0	25	12.7	24	23.4
20	1/2	20mTTM8NPT	71.4	35.7	34.9	19.1	25.1	93.0	46.5	30	16.7	32	22.8
20	3/4	20mTTM12NPT	71.4	35.7	41.2	19.1	25.1	93.0	46.5	30	16.7	32	24.4
25	3/4	25MTTM12NPT	71.4	35.7	41.2	19.1	31.8	96.8	48.4	38	16.7	32	42.0

\*316 Stainless Steel

\*Metric sizes 6mm to 25mm

\*Silver plated nuts

\*\*DIMENSIONS SUBJECT TO CHANGE, PLEASE CONTACT US IF CRITICAL\*\*