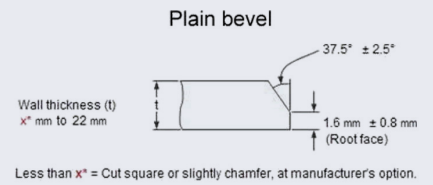
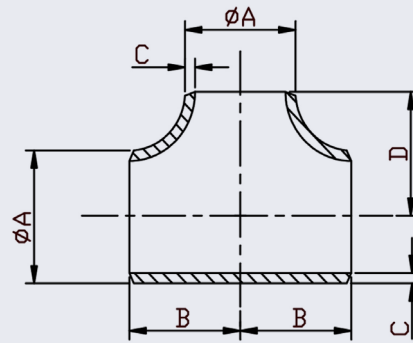


Butt Weld Equal Tee



NERO's range of Butt Weld Equal Tee's are made to ANSI B16.9 and MSS SP43. They are available in schedule 10-40 thickness and 316/L or 304/L material grades.

This item is of Far Eastern origin and 3.1b material certificates are available upon request.

Size	SCHEDULE 10						SCHEDULE 40					
	PRODUCT CODE		DIMENSIONS				PRODUCT CODE		DIMENSIONS			
	316/L	304/L	A	B/D	C	KG EACH	316/L	304/L	A	B/D	C	KG EACH
1/2	BT08/1	BT08/1-304	21.3	25.4	2.11	0.07	BT08/4	BT08/4-304	21.3	25.4	2.77	0.09
3/4	BT12/1	BT12/1-304	26.6	28.7	2.11	0.09	BT12/4	BT12/4-304	26.6	28.7	2.87	0.12
1	BT16/1	BT16/1-304	33.4	38.1	2.77	0.20	BT16/4	BT16/4-304	33.4	38.1	3.38	0.25
1-1/4	BT20/1	BT20/1-304	42.1	47.75	2.77	0.33	BT20/4	BT20/4-304	42.1	47.75	3.56	0.42
1-1/2	BT24/1	BT24/1-304	48.1	57.15	2.77	0.46	BT24/4	BT24/4-304	48.1	57.15	3.68	0.60
2	BT32/1	BT32/1-304	60.3	63.5	2.77	0.63	BT32/4	BT32/4-304	60.3	63.5	3.91	0.87
2-1/2	BT40/1	BT40/1-304	73	76.2	3.05	1.10	BT40/4	BT40/4-304	73	76.2	5.16	1.70
3	BT48/1	BT48/1-304	88.9	85.85	3.05	1.37	BT48/4	BT48/4-304	88.9	85.85	5.49	1.90
4	BT64/1	BT64/1-304	114.3	104.9	3.05	2.15	BT64/4	BT64/4-304	114.3	104.9	6.02	4.13
5	BT80/1	BT80/1-304	141.3	124	3.4	3.48	BT80/4	BT80/4-304	141.3	124	6.55	6.55
6	BT96/1	BT96/1-304	168.3	143	3.4	4.76	BT96/4	BT96/4-304	168.3	143	7.11	9.73
8	BT128/1	BT128/1-304	219.1	177.8	3.76	8.46	BT128/4	BT128/4-304	219.1	177.8	8.18	18
10	BT160/1	BT160/1-304	273.05	215.9	4.19	14.20	BT160/4	BT160/4-304	273.05	215.9	9.27	30.80
12	BT192/1	BT192/1-304	323.9	254	4.57	21.60	BT192/4	BT192/4-304	323.9	254	9.53	44.30
14	BT224/1	BT224/1-304	356	279	4.78	69.90						
16	BT256/1	BT256/1-304	406	305	4.78	72.65						

**** Dimensions subject to change - Please contact us if critical ****